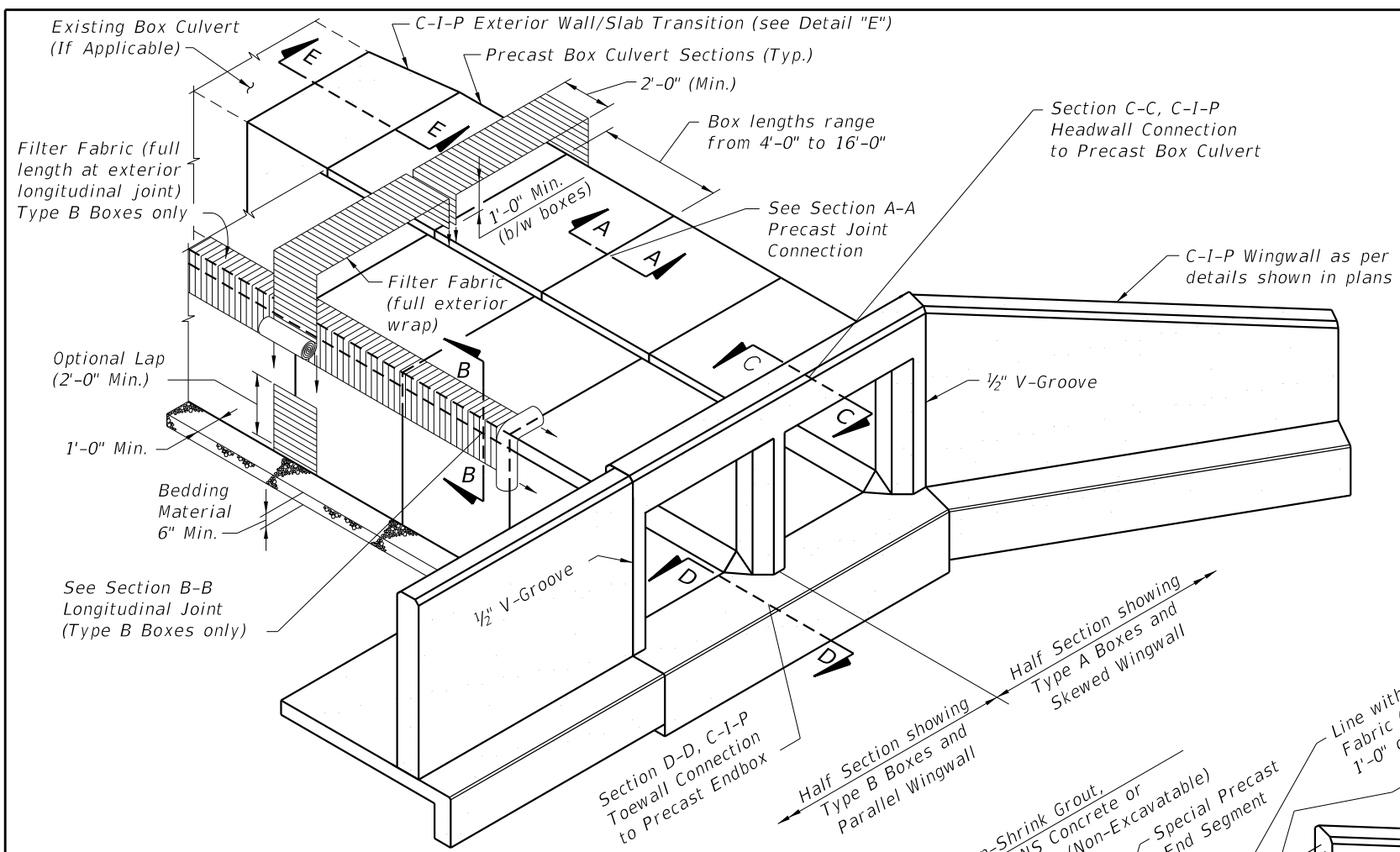
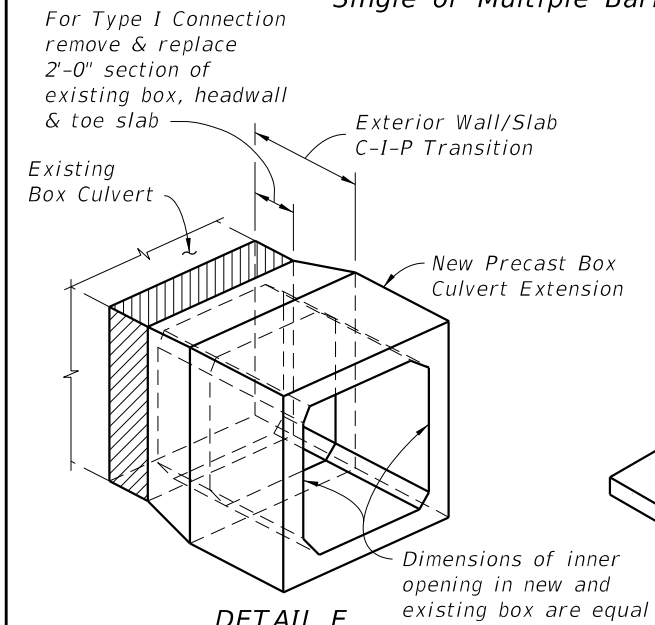


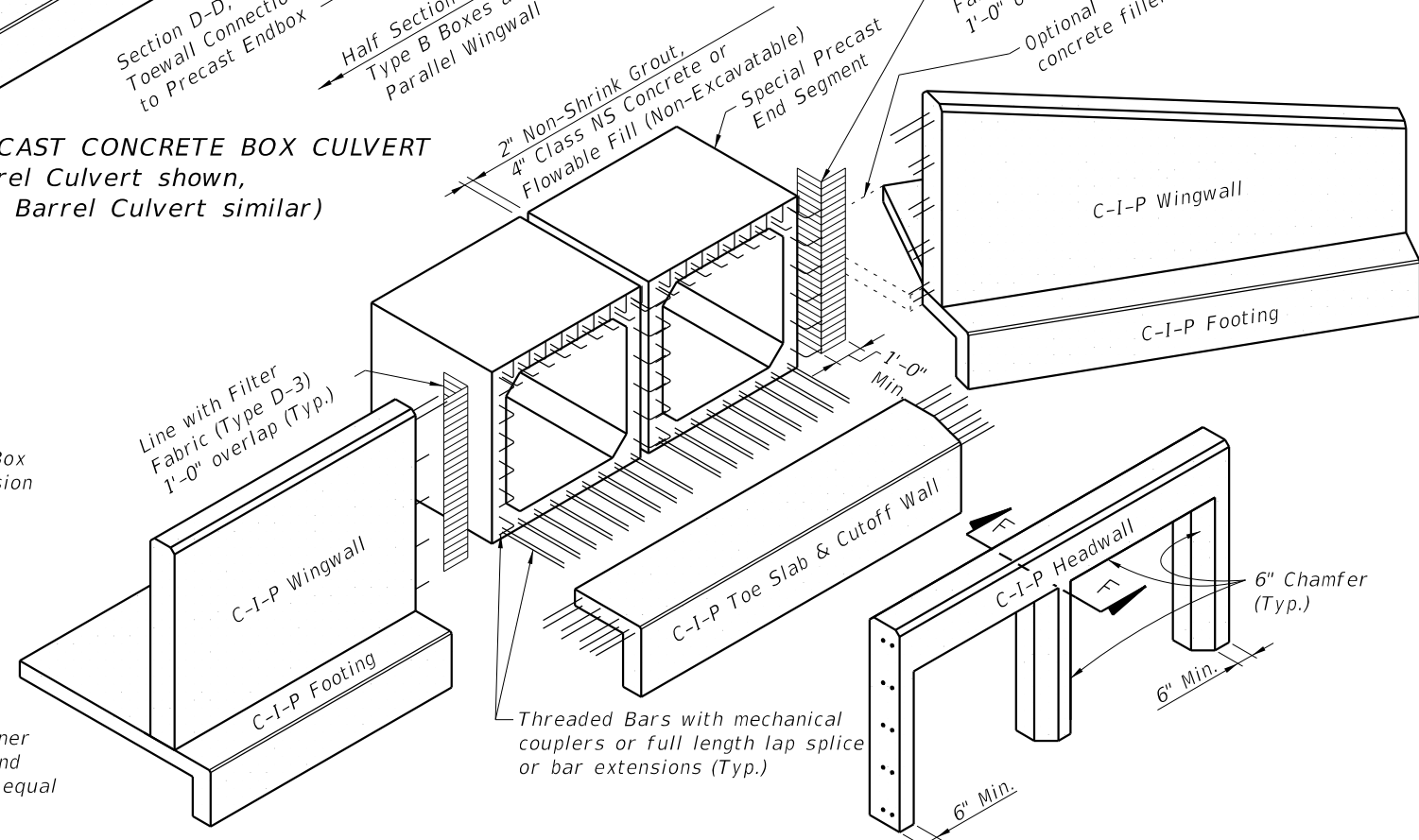
C:\projects\standards\structures\current\ready\4release\2012book_draft\00291-1of5.dgn
 12/30/2011 11:40:30 AM rd960rh



ISOMETRIC VIEW OF PRECAST CONCRETE BOX CULVERT
(Double Barrel Culvert shown, Single or Multiple Barrel Culvert similar)



DETAIL E
PICTORIAL VIEW OF EXTERIOR WALL/SLAB TRANSITION



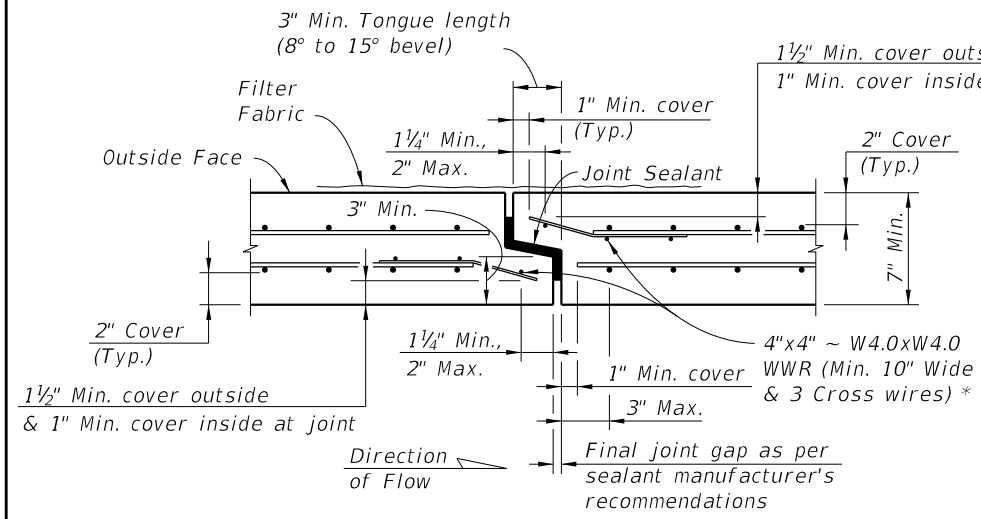
EXPLODED VIEW OF CONNECTIONS AT END OF CULVERT
(Double Barrel Culvert shown, Single or Multiple Barrel Culvert similar)

PERMITTED PRECAST ALTERNATE BOX SECTIONS				
TYPE	DESCRIPTION	SINGLE BARREL	MULTIPLE BARRELS	DESIGN NOTES
A	Single Cell Monolithic (Four Sided)			Index No. 292 or Contractor Design
B	Single Cell Two-Piece (Four Sided)			Contractor Design
C	Multicell Monolithic	Not Applicable		Contractor Design

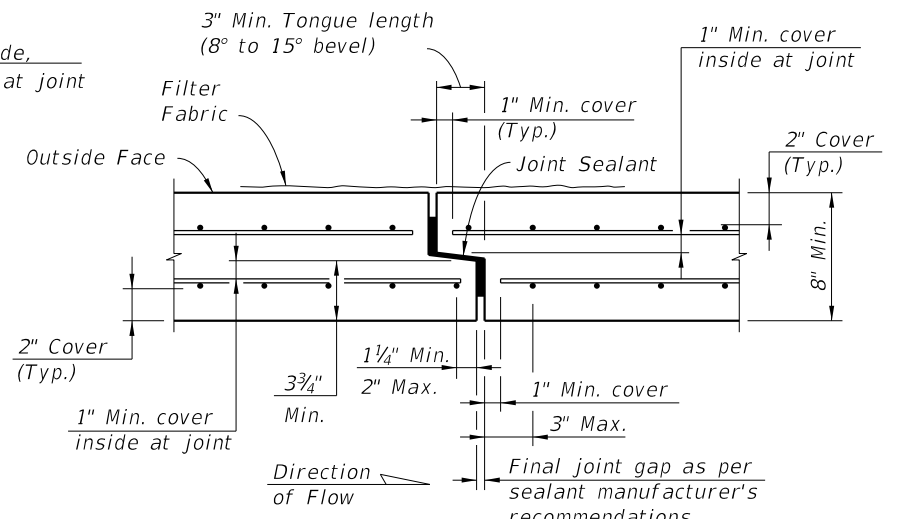
GENERAL NOTES:

- Specifications:
 - General:
 - FDOT Standard Specifications for Road and Bridge Construction, Section 410 (current edition, and supplements thereto).
 - Concrete (Precast):
 - Class III or Class II Modified (5,000 psi) for slightly aggressive environments.
 - Class IV (5,500 psi) for moderately to extremely aggressive environments.
 - Concrete (Cast-In-Place):
 - Class II (3,400 psi) for slightly aggressive environments.
 - Class IV (5,500 psi) for moderately to extremely aggressive environments.
 - Reinforcing Steel:
 - Maintain minimum clearance of 2" for slightly and moderately aggressive environments or 3" for extremely aggressive environments, unless otherwise shown. Equal area substitution of welded wire (WWR) reinforcement is permitted.
- Work this Index with the Cast-In-Place Concrete Box Culvert Details and Data Tables shown in the plans, Index No. 289 and the Precast Concrete Box Culverts shown in the shop drawings.
- All joints between precast sections must be tongue & groove with joint sealant. Joints between cast-in-place & precast sections shall have longitudinal reinforcing extending from top, bottom & both side slabs of the precast box tied to the cast-in-place reinforcement. Single barrel culverts may have precast headwalls cast integrally with the end segment when approved by the Engineer.
- Extension of existing multiple barrel box culverts with multiple single cell precast box culverts is not permitted unless approved by the District Structures Engineer. Full transition details must be shown in the shop drawings when approved.
- Culverts larger than the specified size may be substituted with no additional payment to the Contractor. Substitution must be approved by the Engineer, minimum earth cover and invert elevations shown in the Contract Documents must be maintained.

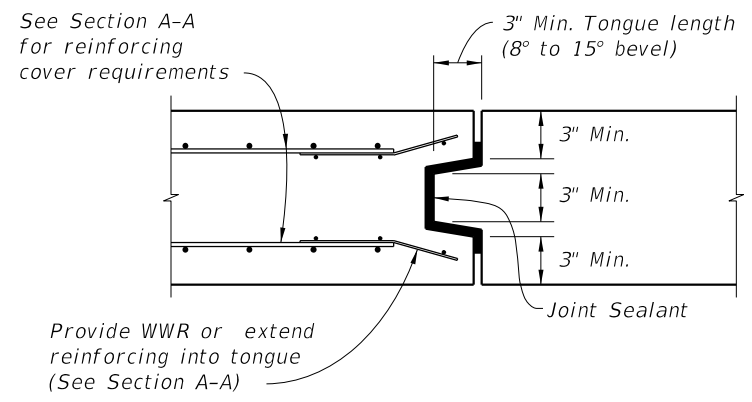
C:\projects\standards\structures\current\ready\4release\2012book_draft\0291-2of5.dgn
 rd960rh
 11:40:31 AM
 12/30/2011



SECTION A-A
(2" Cover - Thin Wall Detail)

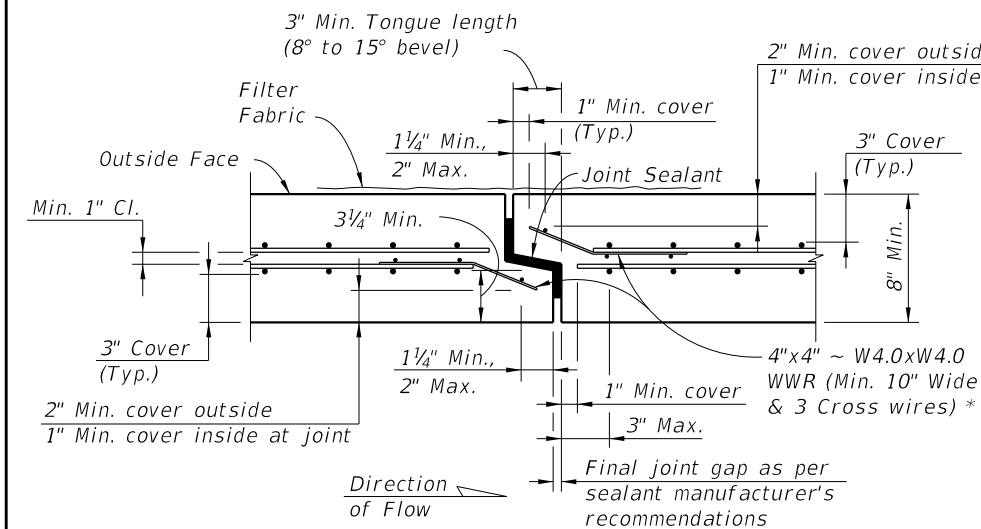


SECTION A-A
(2" Cover - Thick Wall Detail)



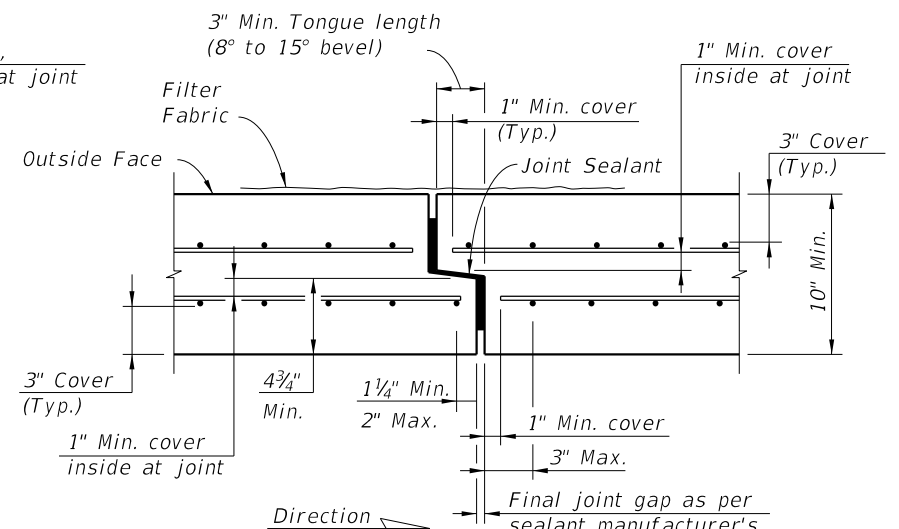
ALTERNATE BOTTOM SLAB TRANSVERSE JOINT TYPICAL SECTION
(DOUBLE-SIDED TONGUE & GROOVE JOINT)
(All reinforcing not shown for clarity)

NOTE:
Bottom Slab Joints in Type B Boxes may be single tongue & groove joints as shown in Section A-A when the Top Slab Joints are oriented as shown in Schematic "A".

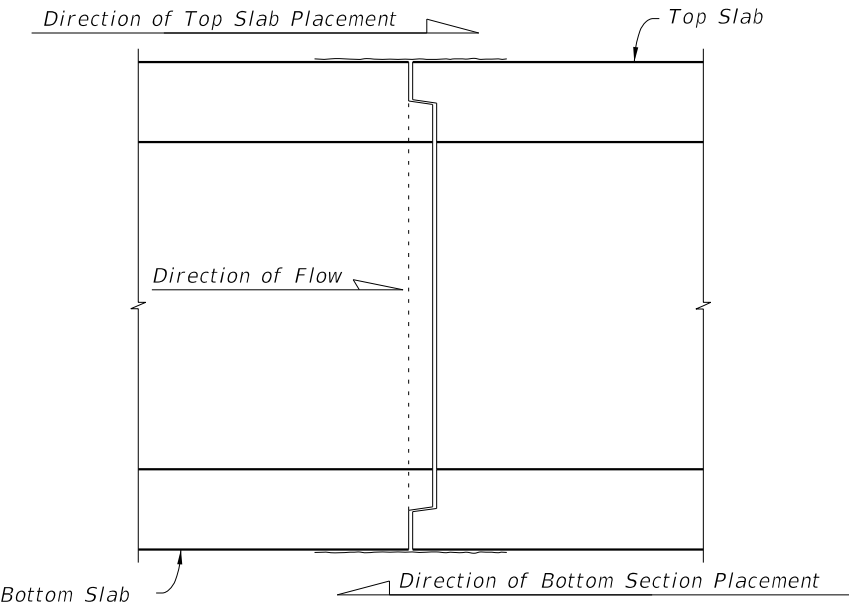


SECTION A-A
(3" Cover - Thin Wall Detail)

* At the Contractor's option when the box culvert reinforcing utilizes WWR, extend wall and slab reinforcing into the joint and bend to maintain cover in lieu of 4"x4" ~ W4.0xW4.0 WWR at joint. Transverse wire in tongue may be cut at corners of box to allow bending of the WWR.




SECTION A-A
(3" Cover - Thick Wall Detail)



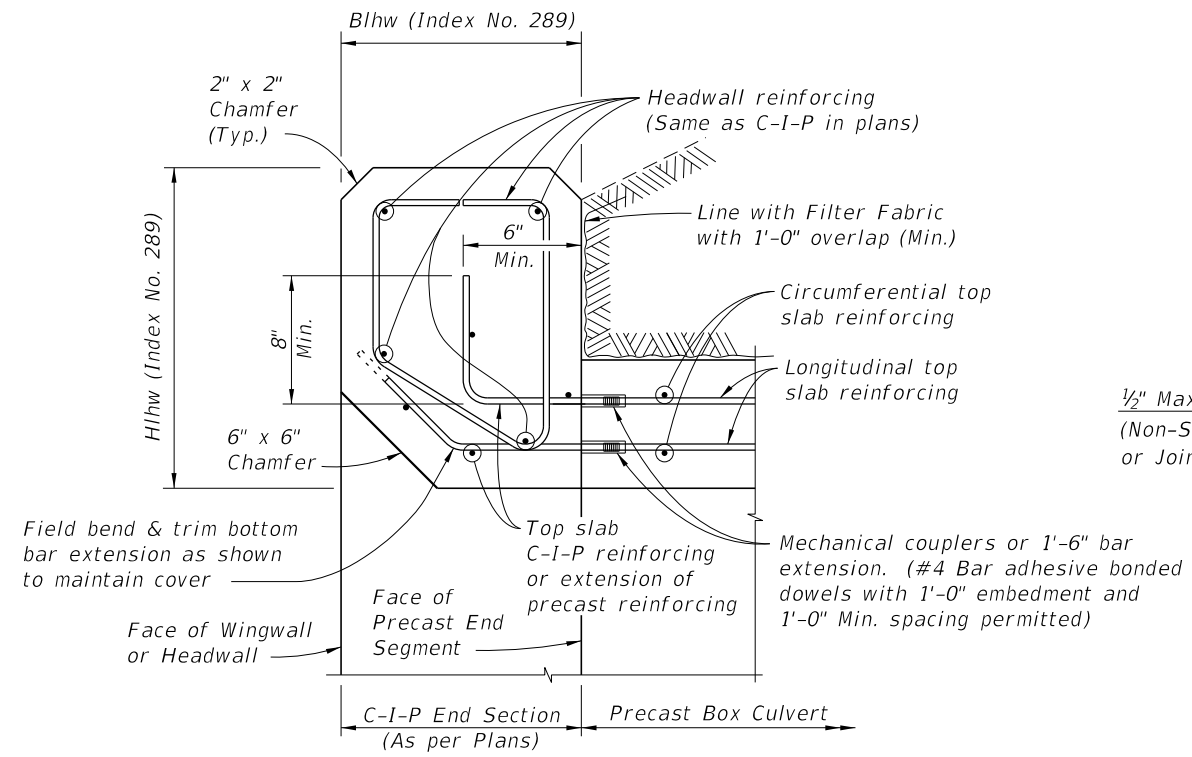
SCHEMATIC "A"
TYPE B BOX SECTION PLACEMENT
FOR SINGLE TONGUE & GROOVE JOINTS

PRECAST SEGMENT TO SEGMENT TONGUE & GROOVE TRANSVERSE JOINTS

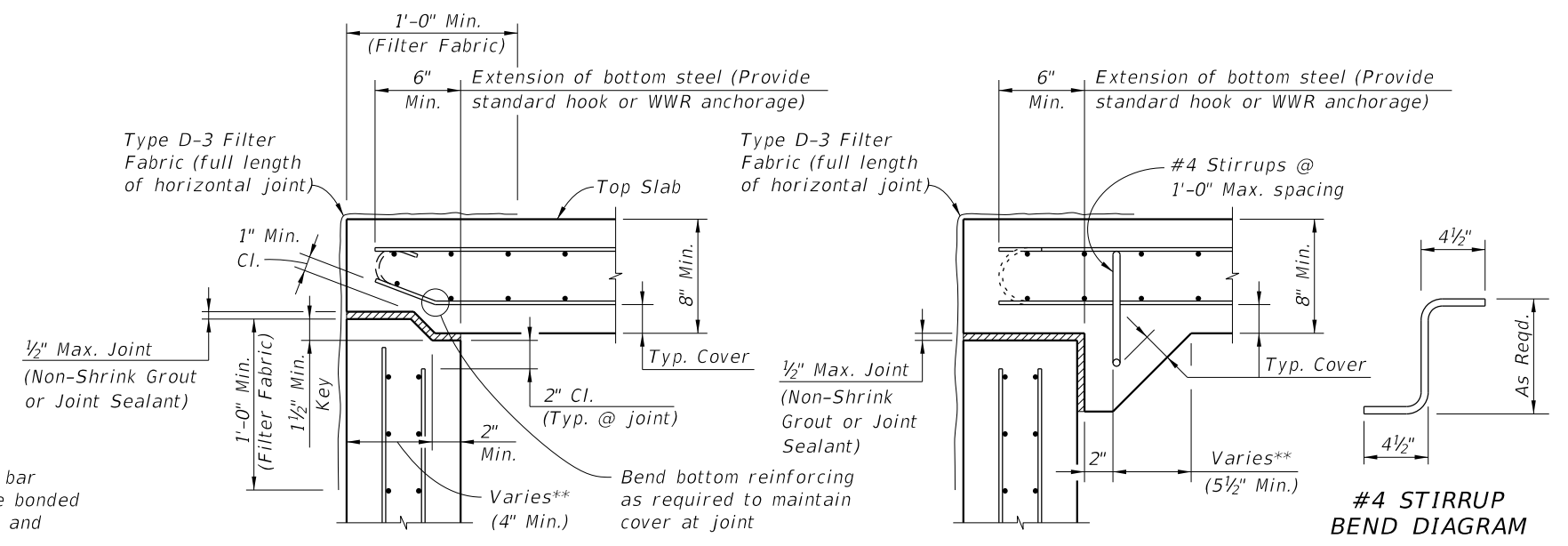
TWO-PIECE PRECAST SEGMENT ADDITIONAL JOINT DETAILS (TYPE B BOX)

LAST REVISION	DESCRIPTION:	 FDOT DESIGN STANDARDS FY 2012/2013	SUPPLEMENTAL DETAILS FOR PRECAST CONCRETE BOX CULVERTS	INDEX NO.	SHEET NO.
07/01/06	REVISION			291	2

C:\projects\standards\structures\current\ready\4release\2012book_draft\00291-3of5.dgn
 rd960rh
 11:40:32 AM
 12/30/2011



SECTION C-C
C-I-P HEADWALL DETAILS AND CONNECTION TO PRECAST BOX



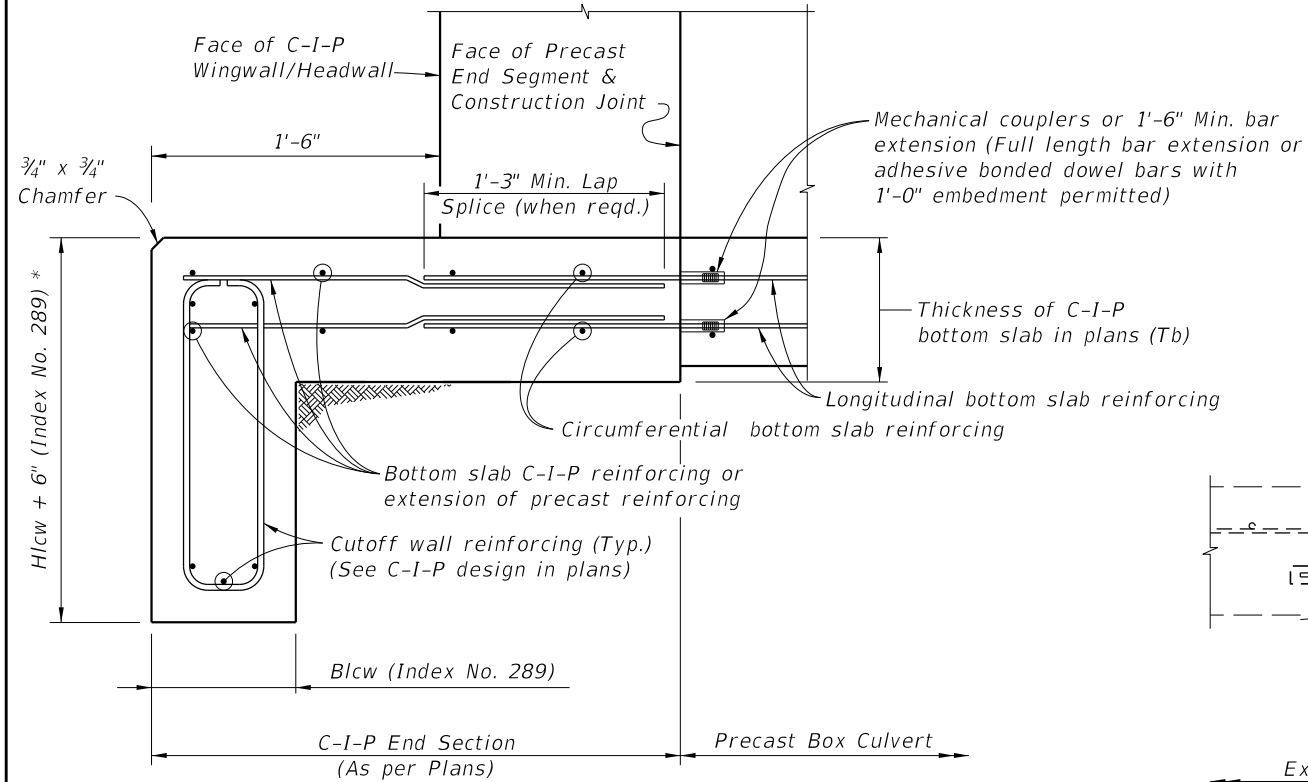
SECTION B-B
TOP SLAB TO WALL JOINT (KEYED JOINT)

SECTION B-B
TOP SLAB TO WALL JOINT (HAUNCHED JOINT)

#4 STIRRUP BEND DIAGRAM

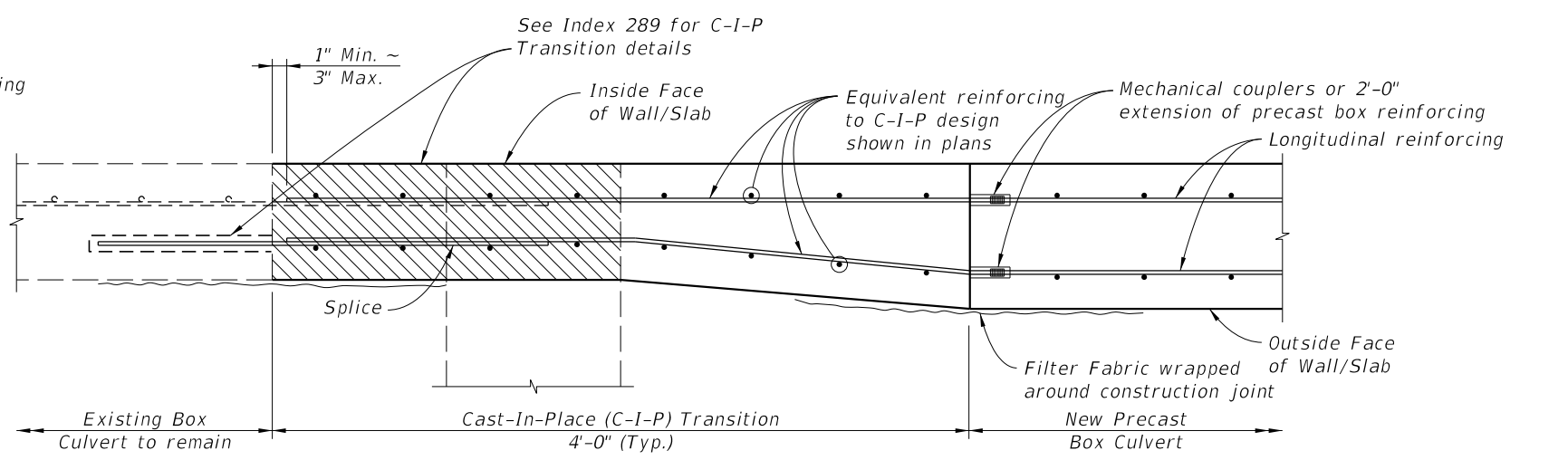
** Provide adequate width to satisfy shear strength requirements at joint

TYPE B BOX LONGITUDINAL JOINTS



SECTION D-D
C-I-P TOE SLAB & CUTOFF WALL DETAILS AND CONNECTION TO PRECAST BOX

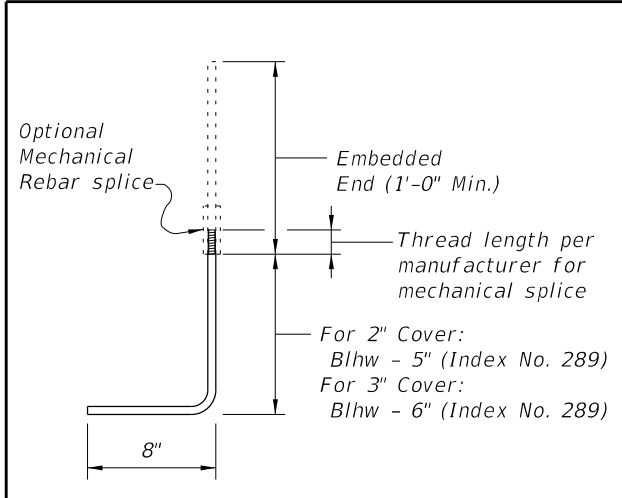
* Provide additional 6" depth of cutoff wall at no additional cost.



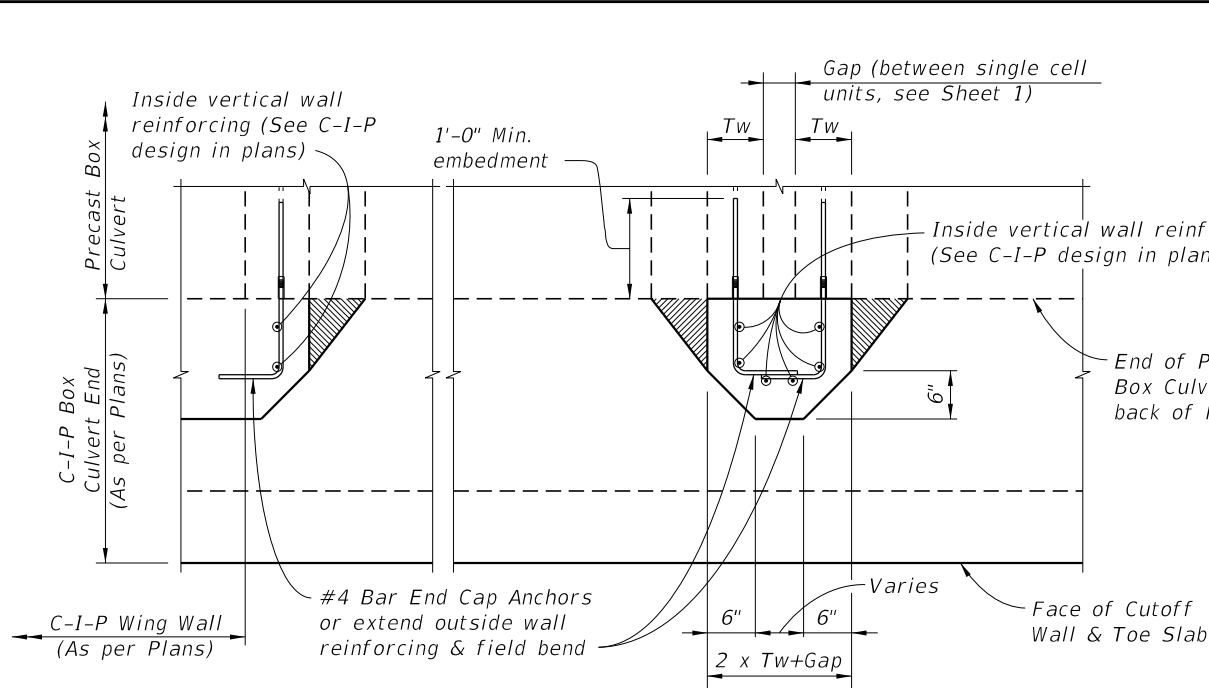
SECTION E-E
EXTERIOR WALL/SLAB TRANSITION DETAIL FOR PRECAST EXTENSION
(Type I Connection shown, Type II Connection similar)

Section of Existing Box Culvert to be removed and replaced, for Type I Connection.

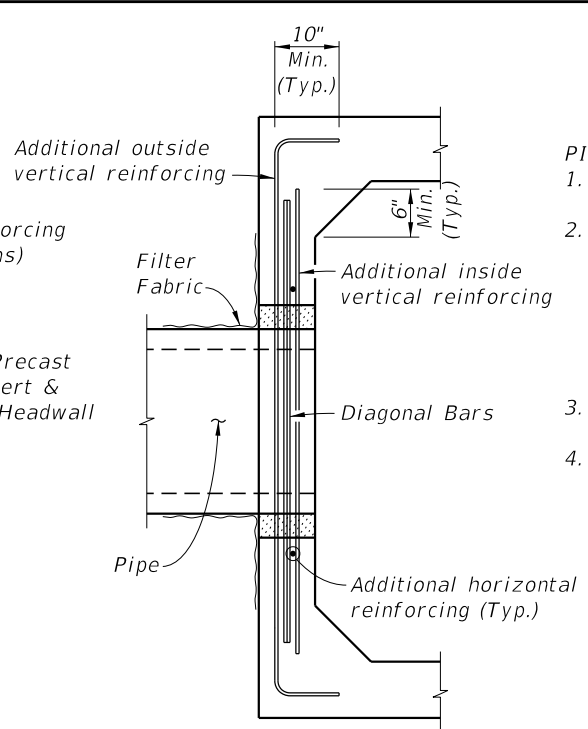
LAST REVISION	DESCRIPTION:	 FDOT DESIGN STANDARDS FY 2012/2013	SUPPLEMENTAL DETAILS FOR PRECAST CONCRETE BOX CULVERTS	INDEX NO.	SHEET NO.
01/01/12				291	3



#4 BAR END CAP ANCHOR BAR BEND DIAGRAM

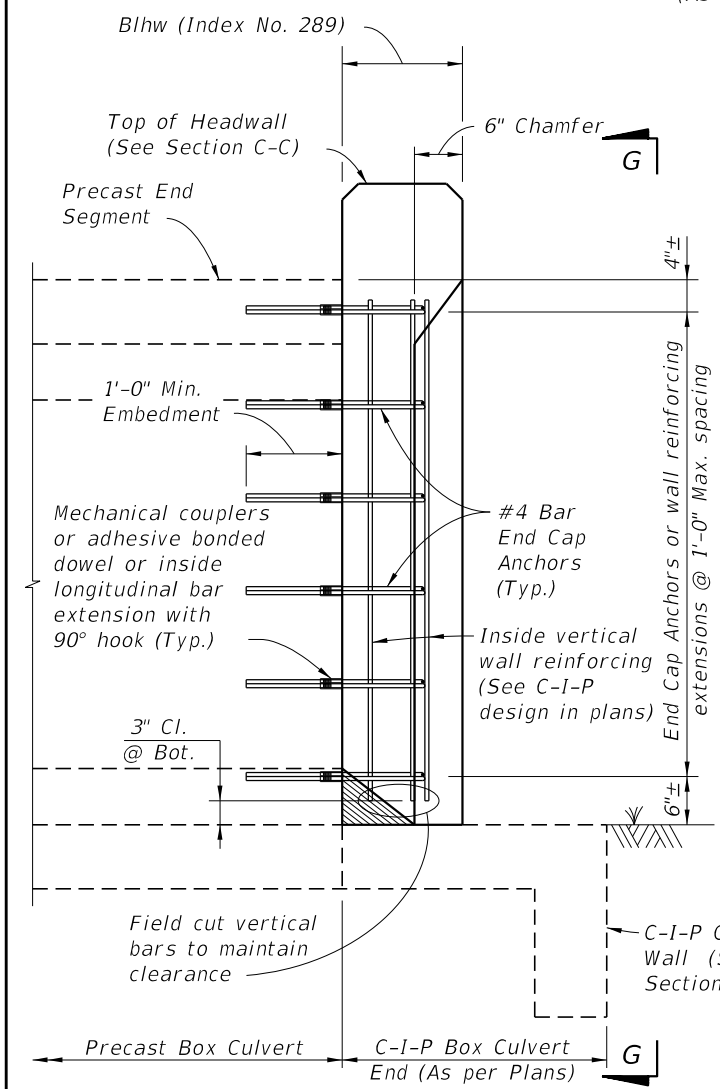


SECTION H-H

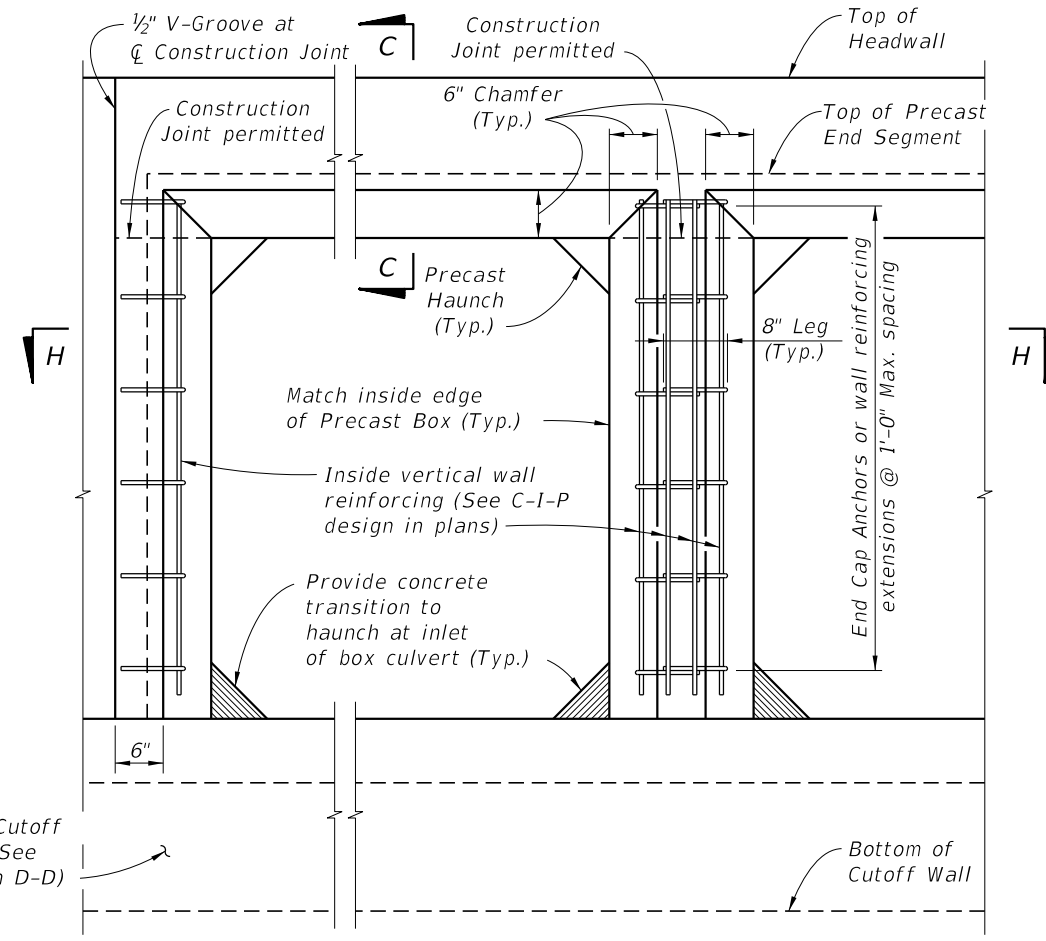


SECTION I-I (Showing additional blockout reinforcing only)

- PIPE BLOCKOUT NOTES:**
1. Cut box culvert reinforcing as required to maintain 2" cover.
 2. For Precast Sections construct opening a minimum of 1'-6" away from any box to box joint, except opening may be a minimum of 1'-0" away from joint when at least 2'-0" of clearance to the box to box joint is provided on the opposite side of the pipe opening.
 3. Pipe blockout diameter to be 6" greater than pipe outside diameter.
 4. See Drainage Plans for size, placement, and invert elevation.

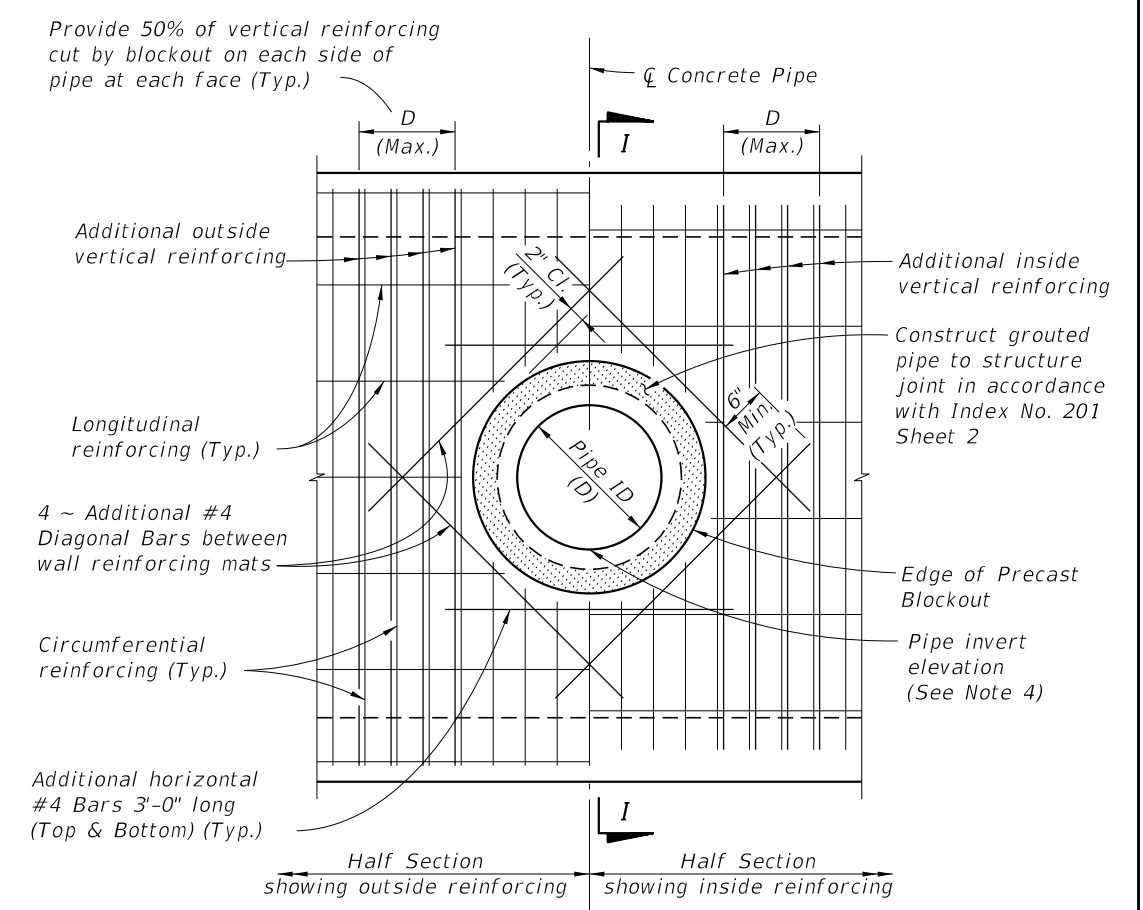


SECTION F-F



VIEW G-G

(Headwall, Toe Slab and Cutoff Wall Reinforcing not shown for clarity)




ELEVATION VIEW

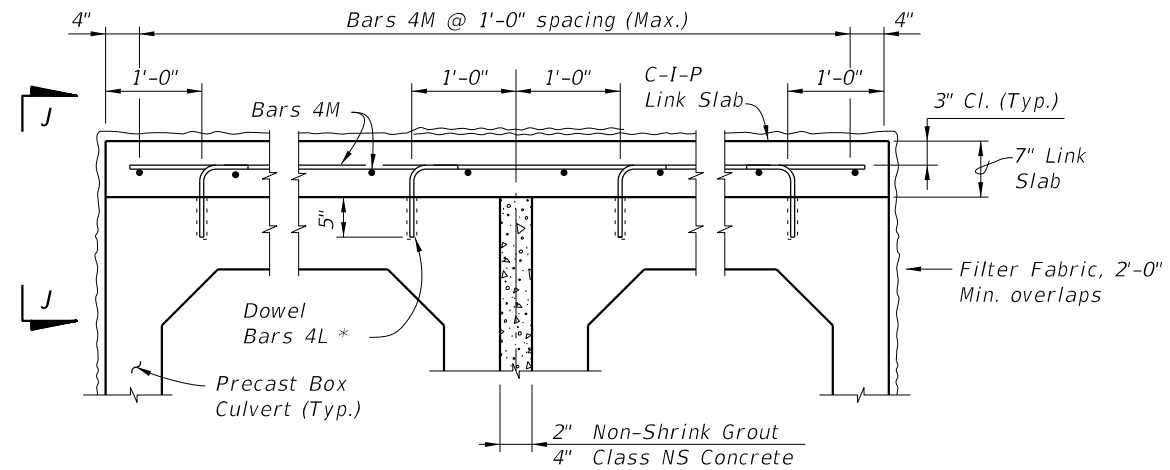
PIPE BLOCKOUT DETAILS

C-I-P END CAP DETAILS AND CONNECTION TO PRECAST BOX

C:\projects\standards\structures\current\ready\4release\2012book_draft\00291-4of5.dgn
11:40:33 AM
r0960rh
12/30/2011

LAST REVISION	DESCRIPTION:	 FDOT DESIGN STANDARDS FY 2012/2013	SUPPLEMENTAL DETAILS FOR PRECAST CONCRETE BOX CULVERTS	INDEX NO.	SHEET NO.
07/01/07	REVISION			291	4

C:\projects\standards\structures\current\ready\4\release\2012\book_draft\00291-5of5.dgn
r0960rh
11:40:34 AM
12/30/2011



LINK SLAB TYPICAL SECTION
(Multiple Barrel Culvert shown, Single Barrel Culvert similar)

* Install dowels with an Adhesive Bonding Material System in accordance with Specification Section 416. The Contractor may substitute mechanical couplers in lieu of adhesive bonded dowels. Shift dowels to clear box culvert reinforcing.

LINK SLAB NOTES:

1. Provide a Cast-In-Place Link Slab to ensure uniform joint opening of precast box culverts when the differential settlement shown in the plans exceeds the following limits, except that a Link Slab is not required for differential settlements less than 1/2".

$$\Delta Y \leq \frac{(L)^2}{760 \times R \times W}$$

Where:

- ΔY = Maximum Long-Term Differential Settlement (ft.)
- R = Exterior height of Box Culvert (ft.)
- W = Length of Box Culvert Segments (ft.)
- L = Effective length for single curvature deflection (ft.)

2. Extend Link Slab to back face of headwalls and to limits of existing box culverts for extensions.

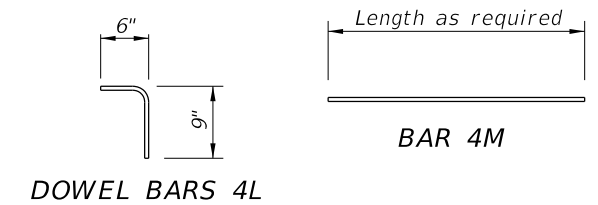
ESTIMATED LINK SLAB QUANTITIES		
ITEM	UNIT	QUANTITY
Class II or IV Concrete (Culvert)	CY/SF	0.0216
Reinforcing Steel (Roadway)	Lb./SF	1.52

NOTE: Estimated quantities are based the plan area of precast box slabs, and are provided for information only. No additional payment will be made for Link Slabs where these are required for the precast box culverts.

BILL OF REINFORCING STEEL

MARK	SIZE	NO. REQ'D	LENGTH
L	4	2 per Barrel/Ft.	1'-3"
M	4	As Req'd.	As Req'd.

REINFORCING STEEL BENDING DIAGRAMS

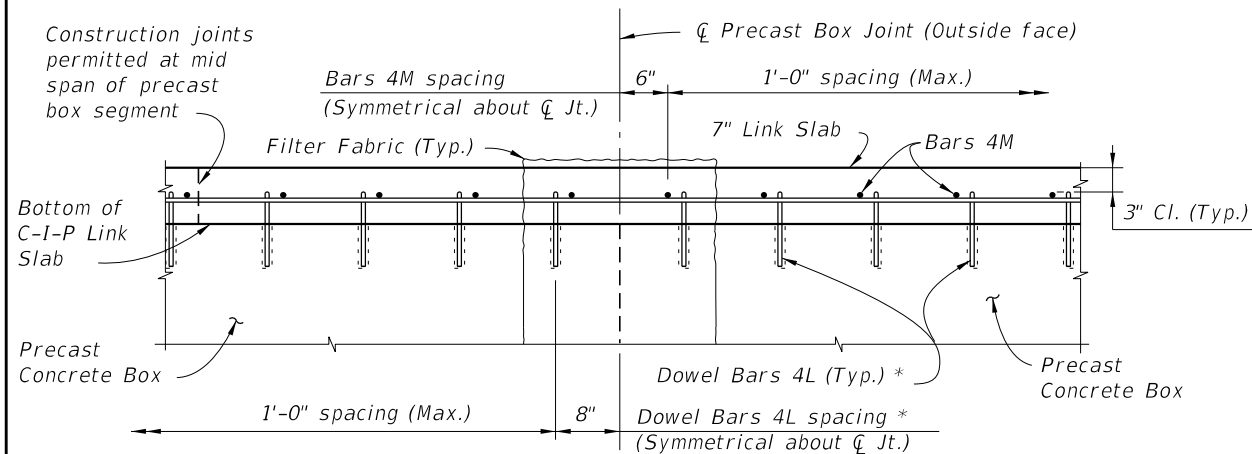


NOTES:

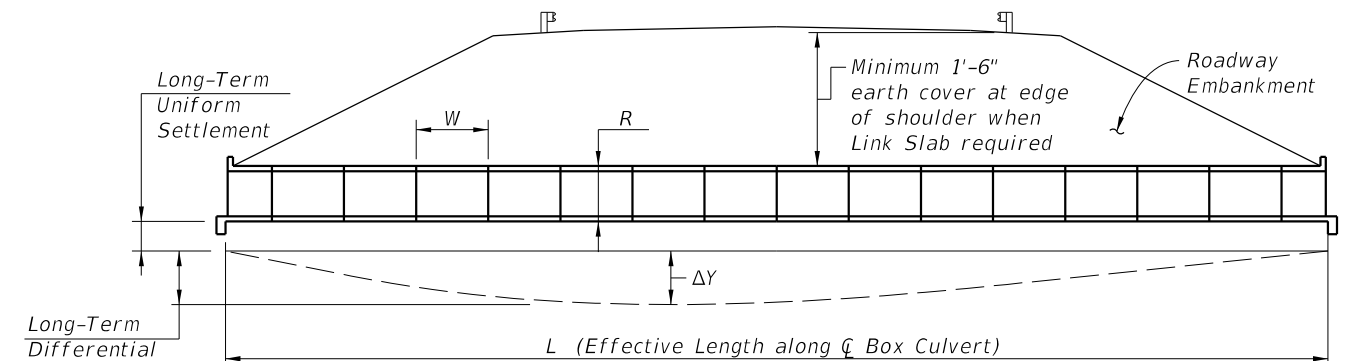
1. All bar dimensions are out to out.
2. Lap splice length for Bars 4M is 1'-4" minimum.

DESIGN NOTE:

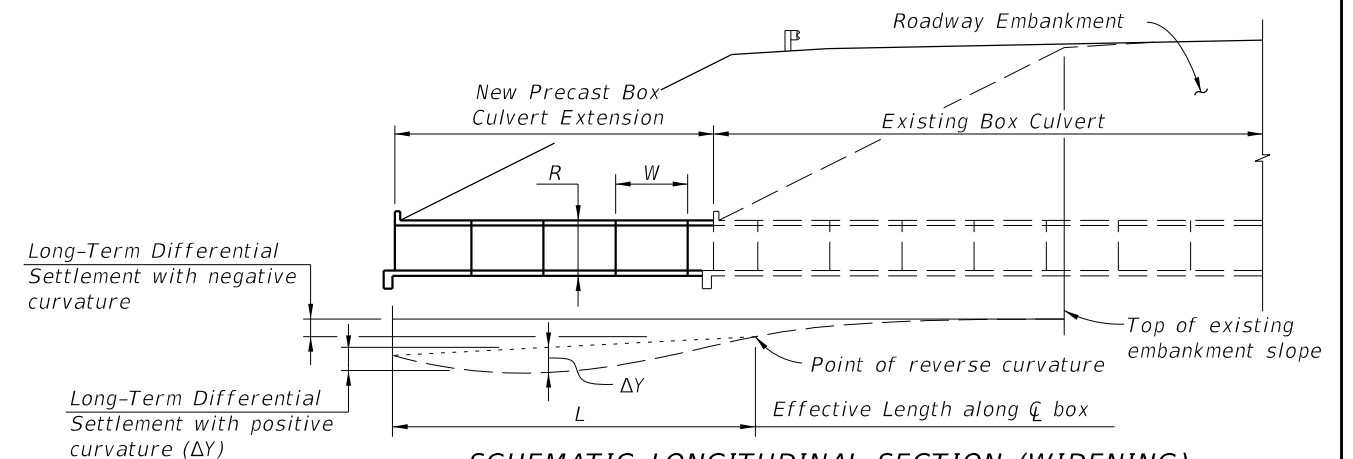
1. Link Slab required when joint openings from differential settlement exceed 1/8" as determined in Link Slab Note 1.



VIEW J-J



SCHEMATIC LONGITUDINAL SECTION (NEW CONSTRUCTION)



SCHEMATIC LONGITUDINAL SECTION (WIDENING)

DIFFERENTIAL SETTLEMENT COUNTERMEASURES FOR PRECAST BOX CULVERTS

LAST REVISION 01/01/09	DESCRIPTION: REVISION	 FDOT DESIGN STANDARDS FY 2012/2013	SUPPLEMENTAL DETAILS FOR PRECAST CONCRETE BOX CULVERTS	INDEX NO. 291	SHEET NO. 5
---------------------------	--------------------------	--	---	------------------	----------------