

306 Typical Sections

306.1 General

Typical Section sheets provide detailed cross section depictions of the principal roadway elements that are standard between certain station or milepost limits. These sections are the basis for construction details and information shown on the plan sheets.

306.2 Typical Section Sheet

Typical sections should only show typical conditions that are found within the limits applicable to that section. Non-standard conditions that prevail for short distances should not be shown. Typical sections are to show existing elements that are to be incorporated into the final roadway section, along with the proposed elements.

Show the station limits or milepost of each section below the typical section title. Typical section stationing must cover the entire project. Include transitions from one typical to another in the stationing of one or the other typical section. Sheets that feature more than one typical section should read from the top down, with the sections in the order in which they occur within the project.

Place Typical Section sheets in the plans in the following order:

- (1) Project mainline
- (2) Ramps and service roads (for projects which include an interchange)
- (3) Crossing side roads
- (4) Minor side streets

The FDOT CADD Software contains a number of typical sections that can be used and adjusted to suit the conditions of a particular project. Usually typical sections are not created to scale, but the horizontal dimensions should be proportionate.

For illustrations of various typical sections, see *Exhibits 306-1* through *306-12*.

306.2.1 Half Sections and Details

Half sections and details supplement or support typical sections. They should be placed on the same sheet as the typical section to which they apply. In the event that this is not

possible, additional sheets for details should be placed behind the typical section sheet(s).

Half sections are necessary when changes occur that affect several typical section elements (e.g., number of lanes, border width, ditch or drainage features, clearing and grubbing, R/W width).

Details and partial sections are necessary for the clarification of construction techniques or sequence and to show alternates (e.g., the placement of shoulder gutter in high fill areas, changes in sidewalk location). Judgment is necessary in making decisions about when and where details should be shown.

306.3 Typical Section Information

Include the following information on the typical sections:

- (1) Cross Slopes
 - (a) Express cross slopes of roadway pavement, shoulder surfaces, sidewalks and bridge decks as a decimal part of a foot vertical per foot horizontal. These cross slopes should be rounded to two decimal places, i.e., 0.02, 0.06. Three decimal places may be used when required.
 - (b) Show median and outer slopes by ratio, vertical to horizontal, i.e., 1:4, 1:2.
 - (c) Include either feathering details or notes (or both) when resurfacing without milling in urban curb and gutter sections is specified or when milling depth is less than the overlay thickness.
 - (d) When cross slope correction is necessary, include special milling and layering details showing the method of correction in the plans.
- (2) Location of profile grade point.
- (3) Depict pavement construction in a clear, precise manner by indicating the LBR requirement and the thickness of the subgrade stabilization, subbase or base, as well as thickness for structural course, friction course and shoulder pavement. Use 4 inches for both base extension on rural sections and for stabilization extension on curbed sections.
- (4) Limits of grassing.
- (5) Sidewalk location and width.
- (6) Curb and gutter location and type (show Type E or F, not the dimension).

- (a) On new construction curb and gutter projects which include Asphalt Base, Type B-12.5 only, indicate the asphalt curb pad on the typical section and provide a detail.
- (7) Limits of standard clearing and grubbing.
- (8) R/W line and limits of construction.
- (9) Pavement dimensions.
- (10) For widening projects, provide a dimension for total pavement width (existing and proposed). Show the pavement widening width with an asterisk. Show Note 3, of **FDM 306.5**, as near to this noted asterisk as possible.
- (11) Shoulder dimensions; paved and total width
- (12) Label shoulder treatment on RRR projects (See **FDM 210.4.4**)

306.4 Required Data

Include the following data for each typical section:

- (1) Traffic data consistent with the data used for pavement design.
 - (a) Current Year and AADT
 - (b) Estimated Opening Year and AADT
 - (c) Estimated Design Year and AADT
 - (d) K, D, T (24 hour) and T (Design Hour) factors.
 - (e) Design Speed: The estimated opening and design year traffic data is not required for skid hazard projects.
- (2) Approved pavement designs described in the order of construction:
 - (a) For new construction start with Option Base Group and end with friction course.
 - (b) For resurfacing projects start with milling depth, then list the structural courses and end with friction course.
- (3) Standard notes. Refer to **FDM 306.5** for standard notes for typical sections.
- (4) Template dimensions:

For widening projects, show the existing pavement width as a \pm dimension, and show the base widening width with an asterisk. Show Note 3, of **FDM 306.5**, as near to this noted asterisk as possible.

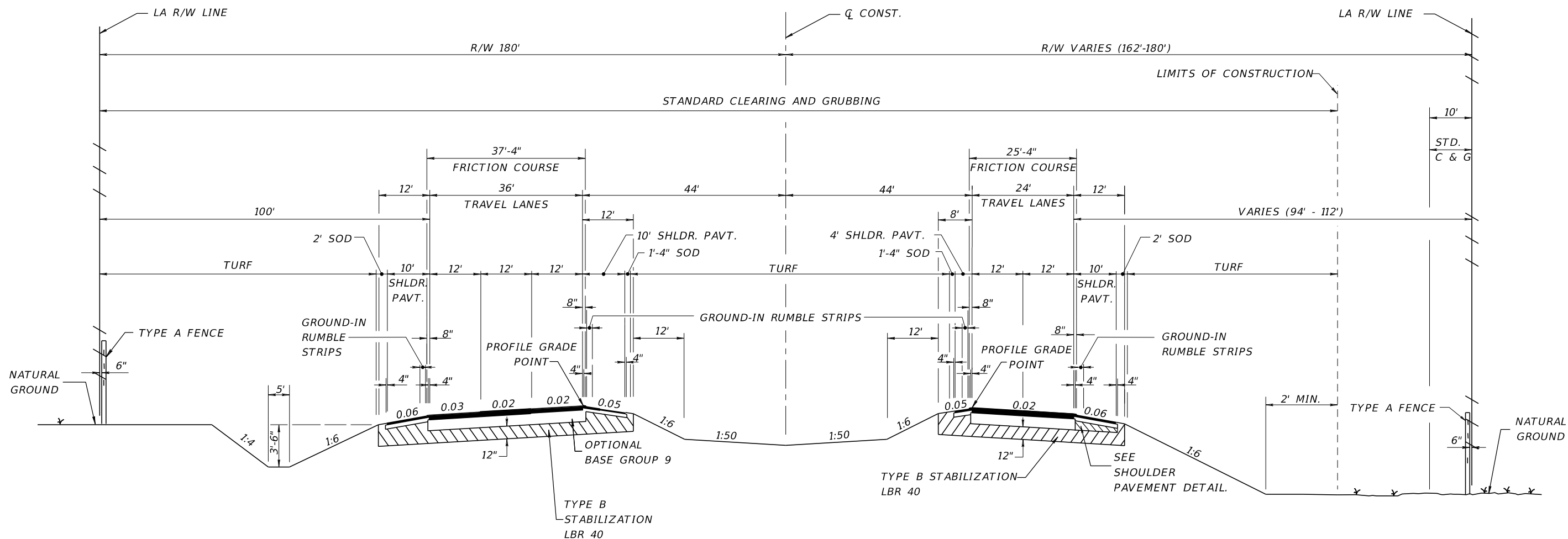
NOTE: For typical sections with varying dimensions, clearly indicate the dimensions on the plan-profile sheets.

- (5) Identify shoulder treatment where applicable on RRR projects (See **FDM 210.4.4**)

306.5 Standard Notes for Typical Section Sheets

Show the following standard notes on typical section sheets as applicable:

- (1) For details and limits of selective clearing and grubbing see _____.
- (2) (Under paved shoulders):
This area may be constructed of base material at no additional compensation.
- (3) (On widening projects):
Actual width of base widening may vary due to actual existing pavement width. A uniform width base widening strip may be constructed at no additional compensation.



**TYPICAL SECTION
I-10 (SR 8)
STA. 567+25.67 TO STA. 1056+84.35**

TRAFFIC DATA

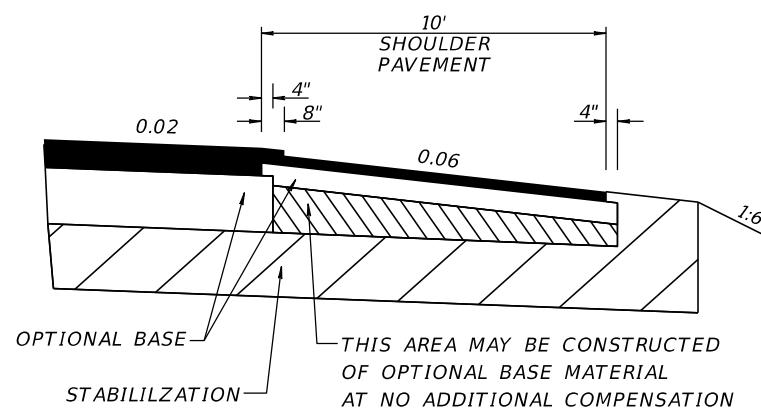
CURRENT YEAR = 2018 AADT = 22300
 ESTIMATED OPENING YEAR = 2020 AADT = 23300
 ESTIMATED DESIGN YEAR = 2040 AADT = 51500
 K = 9 % D = 56 % T = 10 % (24 HOUR)
 DESIGN HOUR T = 5 %
 DESIGN SPEED = 70 MPH

TRAVEL LANES

OPTIONAL BASE GROUP 9 WITH
 TYPE SP STRUCTURAL COURSE (TRAFFIC D) (4") AND
 FRICTION COURSE FC-5 (3/4") (PG 76-22)

SHOULDER PAVEMENT

OPTIONAL BASE GROUP 1 WITH
 TYPE SP STRUCTURAL COURSE (TRAFFIC D) (1 1/2")

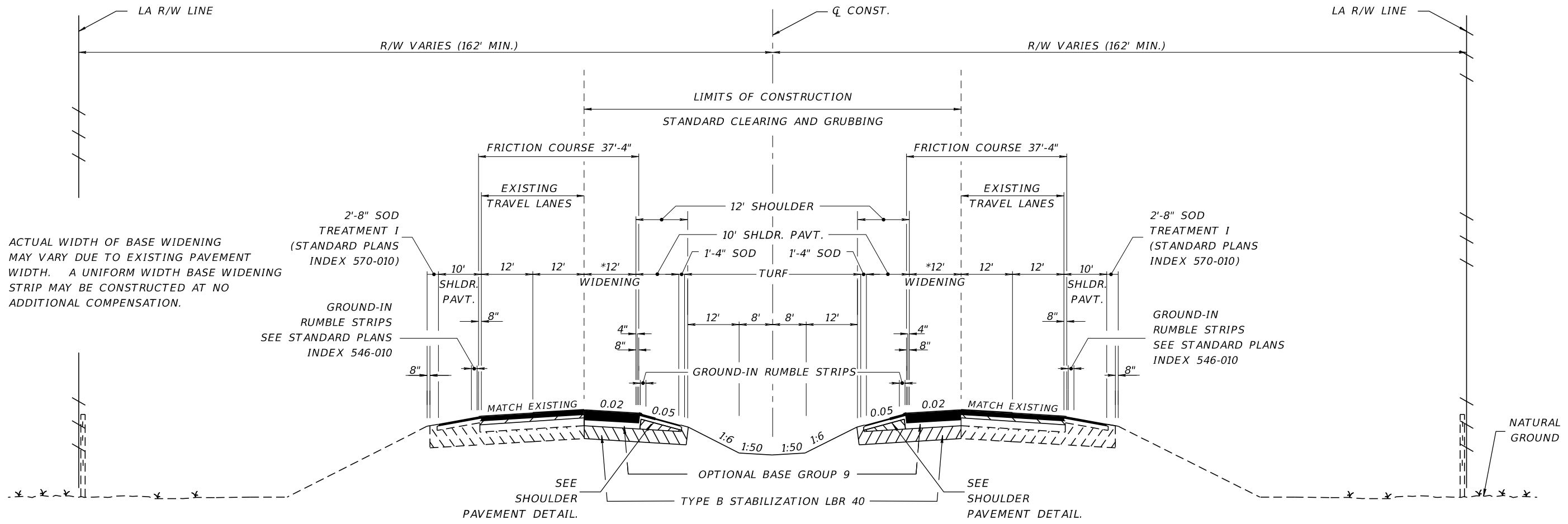


SHOULDER PAVEMENT DETAIL

Exhibit 306-1
 4-Lane Limited Access Facility
 Date: 1/1/18

REVISIONS				LUKE S. WALKER, P.E. P.E. NO.: 99991 ROADWAY ENGINEERS, INC. 123 MAIN STREET TALLAHASSEE, FL 32301 CERTIFICATE OF AUTHORIZATION: 12345	STATE OF FLORIDA DEPARTMENT OF TRANSPORTATION			SHEET NO.
DATE	DESCRIPTION	DATE	DESCRIPTION		ROAD NO.	COUNTY	FINANCIAL PROJECT ID	
					SR 8	BAY	123456-1-52-01	TYPICAL SECTION

THE OFFICIAL RECORD OF THIS SHEET IS THE ELECTRONIC FILE DIGITALLY SIGNED AND SEALED UNDER RULE 61G15-23.004, F.A.C.



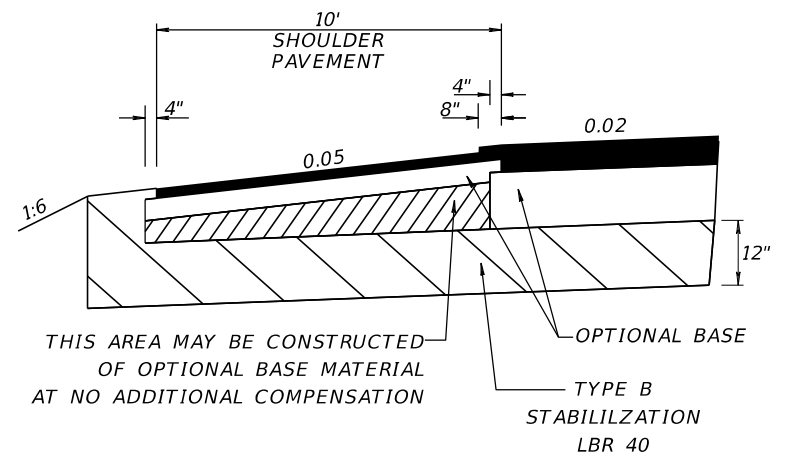
* ACTUAL WIDTH OF BASE WIDENING MAY VARY DUE TO EXISTING PAVEMENT WIDTH. A UNIFORM WIDTH BASE WIDENING STRIP MAY BE CONSTRUCTED AT NO ADDITIONAL COMPENSATION.

TRAFFIC DATA

CURRENT YEAR = 2018 AADT = 22300
 ESTIMATED OPENING YEAR = 2020 AADT = 23300
 ESTIMATED DESIGN YEAR = 2040 AADT = 51500
 K = 9 % D = 56 % T = 10 % (24 HOUR)
 DESIGN HOUR T = 5 %
 DESIGN SPEED = 70 MPH

**TYPICAL SECTION
 I-75 (SR 93)
 STA. 1342+25.00 TO STA. 1950+85.75**

WIDENING
OPTIONAL BASE GROUP 9 WITH TYPE SP STRUCTURAL COURSE (TRAFFIC D) (2 1/2") FRICTION COURSE FC-5 (3/4") (PG 76-22)
EXISTING TRAVEL LANES
MILL EXISTING ASPHALT PAVEMENT (2 1/2" DEPTH) TYPE SP STRUCTURAL COURSE (TRAFFIC D) (2 1/2") AND FRICTION COURSE FC-5 (3/4")
EXISTING OUTSIDE SHOULDER PAVEMENT
MILL EXISTING ASPHALT PAVEMENT (1 1/2" DEPTH) TYPE SP STRUCTURAL COURSE (TRAFFIC D) (1 1/2")
NEW INSIDE SHOULDER PAVEMENT
OPTION BASE GROUP 1 WITH TYPE SP STRUCTURAL COURSE (TRAFFIC D) (1 1/2")

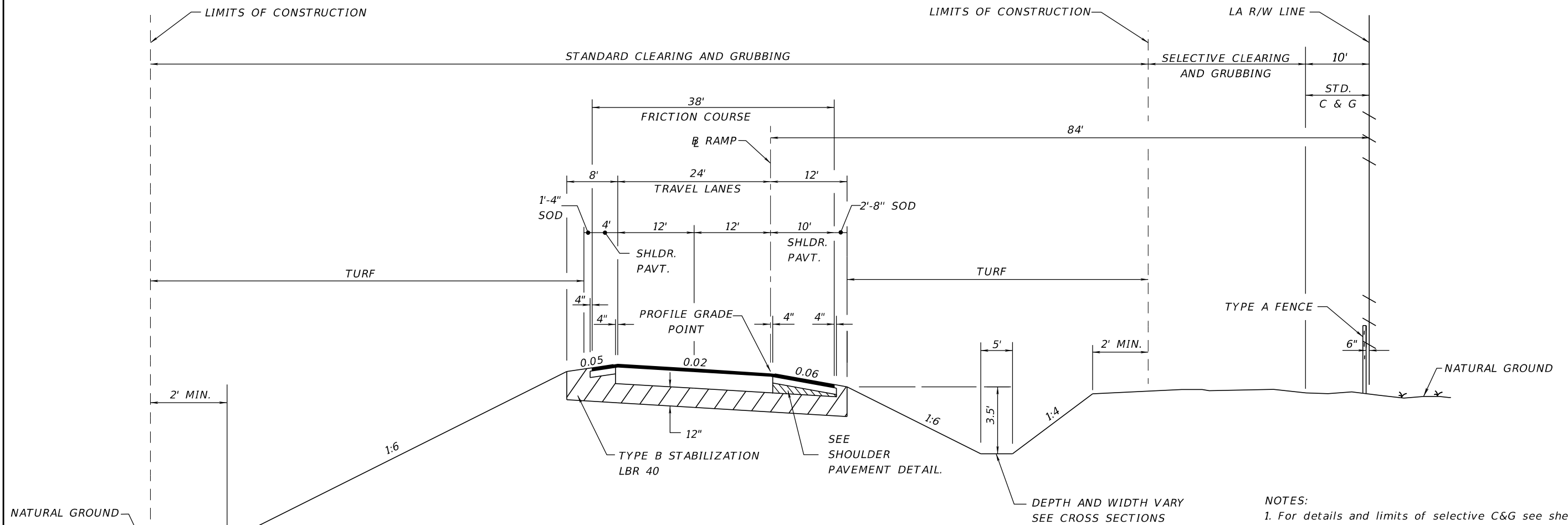


INSIDE SHOULDER PAVEMENT DETAIL

Exhibit 306-2
 6-Lane Limited Access Facility
 Date: 1/1/18

REVISIONS				LUKE S. WALKER, P.E. P.E. NO.: 99991 ROADWAY ENGINEERS, INC. 123 MAIN STREET TALLAHASSEE, FL 32301 CERTIFICATE OF AUTHORIZATION: 12345	STATE OF FLORIDA DEPARTMENT OF TRANSPORTATION			TYPICAL SECTION	SHEET NO.
DATE	DESCRIPTION	DATE	DESCRIPTION		ROAD NO.	COUNTY	FINANCIAL PROJECT ID		
				SR 93	BAY	123456-1-52-01			

THE OFFICIAL RECORD OF THIS SHEET IS THE ELECTRONIC FILE DIGITALLY SIGNED AND SEALED UNDER RULE 61G15-23.004, F.A.C.



**TYPICAL SECTION
RAMP "C"
STA. 623+28.64 TO STA. 629+13.78**

NOTES:
1. For details and limits of selective C&G see sheet 106.

DEPTH AND WIDTH VARY
SEE CROSS SECTIONS

TRAFFIC DATA

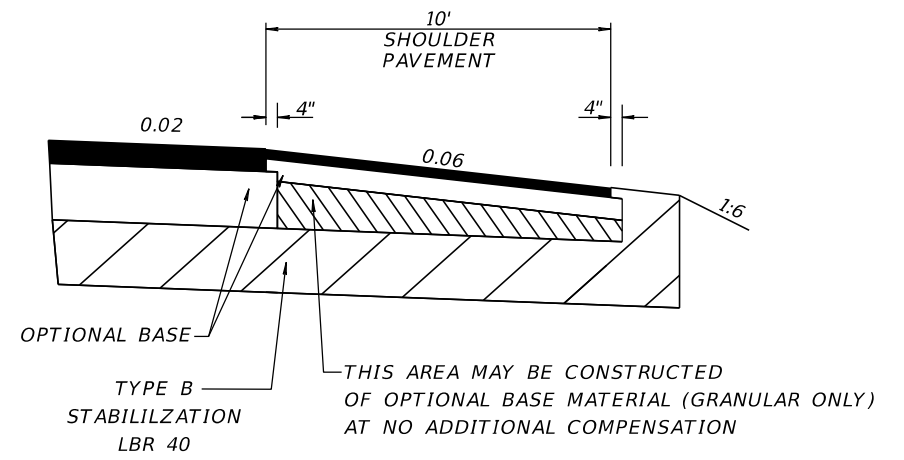
CURRENT YEAR = 2018 AADT = 8,000
 ESTIMATED OPENING YEAR = 2020 AADT = 8,800
 ESTIMATED DESIGN YEAR = 2040 AADT = 12,000
 K = 10% D = 100% T = 8% (24 HOUR)
 DESIGN SPEED = 30 MPH

TRAVEL LANES

OPTIONAL BASE GROUP 9 WITH
 TYPE SP STRUCTURAL COURSE (TRAFFIC B) (1 1/2") AND
 FRICTION COURSE FC-12.5 (1 1/2")

SHOULDER PAVEMENT

OPTIONAL BASE GROUP 1 WITH
 FRICTION COURSE FC-12.5 (1 1/2")

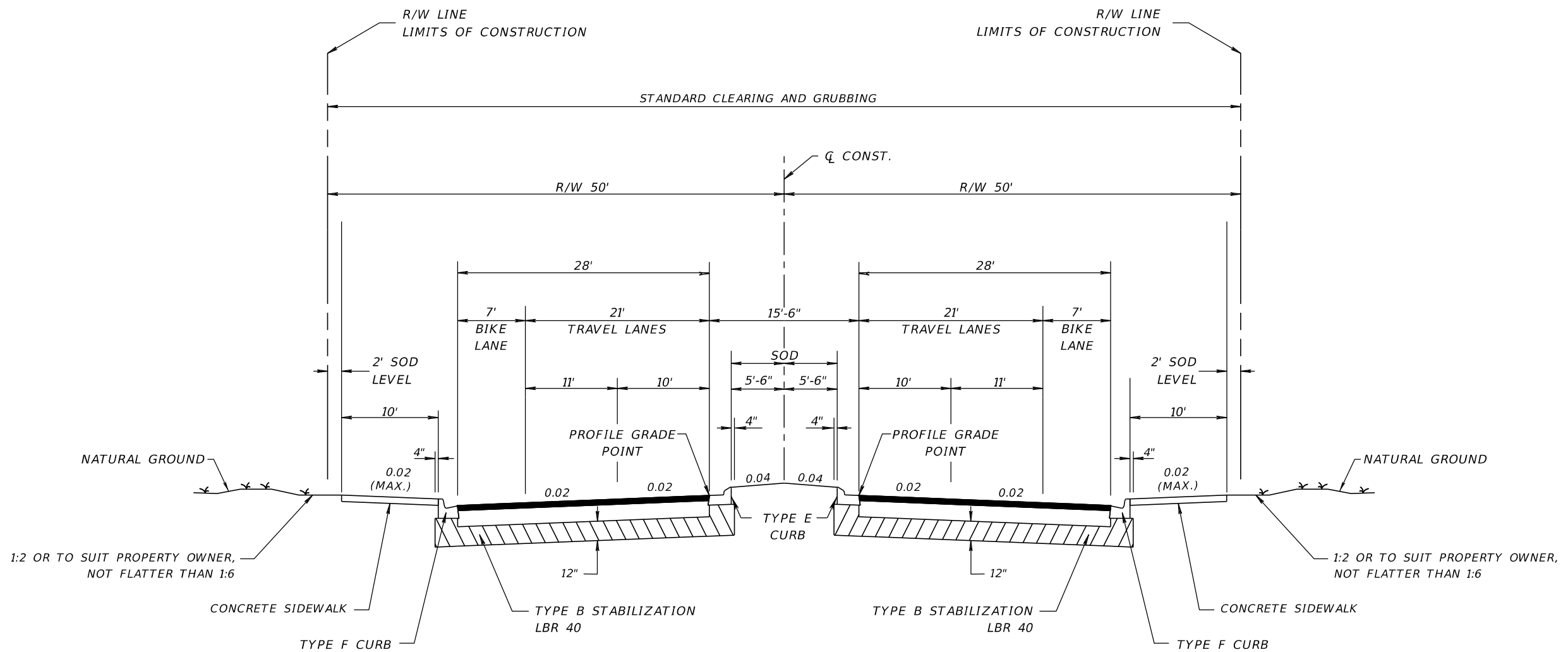


SHOULDER PAVEMENT DETAIL

**Exhibit 306-3
Ramp
Date: 1/1/18**

REVISIONS				LUKE S. WALKER, P.E. P.E. NO.: 99991 ROADWAY ENGINEERS, INC. 123 MAIN STREET TALLAHASSEE, FL 32301 CERTIFICATE OF AUTHORIZATION: 12345	STATE OF FLORIDA DEPARTMENT OF TRANSPORTATION			SHEET NO.
DATE	DESCRIPTION	DATE	DESCRIPTION		ROAD NO.	COUNTY	FINANCIAL PROJECT ID	
					SR 93	BAY	123456-1-52-01	TYPICAL SECTION

THE OFFICIAL RECORD OF THIS SHEET IS THE ELECTRONIC FILE DIGITALLY SIGNED AND SEALED UNDER RULE 61G15-23.004, F.A.C.



TYPICAL SECTION

SR 22

STA. 98+40.00 TO STA. 202+33.00

TRAVEL AND BIKE LANES

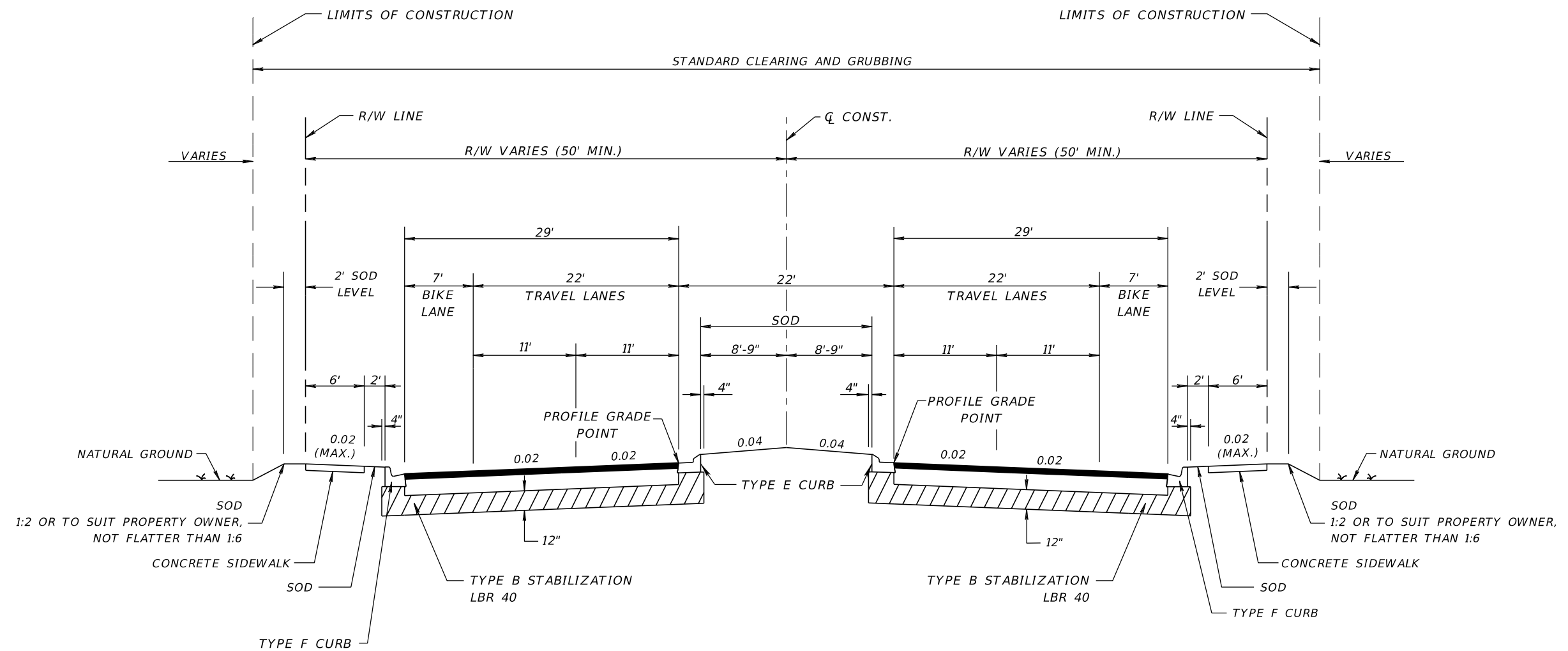
**OPTIONAL BASE GROUP 9 WITH
TYPE SP STRUCTURAL COURSE (TRAFFIC B) (2")
AND FRICTION COURSE FC-12.5 (TRAFFIC B) (1 1/2")**

TRAFFIC DATA

CURRENT YEAR = 2018 AADT = 22800
 ESTIMATED OPENING YEAR = 2020 AADT = 25800
 ESTIMATED DESIGN YEAR = 2040 AADT = 30600
 K = 6% D = 55% T = 2% (24 HOUR)
 DESIGN HOUR T = 1%
 DESIGN SPEED = 30 MPH

**Exhibit 306-4
4-Lane Curbed
Date: 1/1/18**

REVISIONS				LUKE S. WALKER, P.E. P.E. NO.: 99991 ROADWAY ENGINEERS, INC. 123 MAIN STREET TALLAHASSEE, FL 32301 CERTIFICATE OF AUTHORIZATION: 12345	STATE OF FLORIDA DEPARTMENT OF TRANSPORTATION			SHEET NO.
DATE	DESCRIPTION	DATE	DESCRIPTION		ROAD NO.	COUNTY	FINANCIAL PROJECT ID	
					SR 22	BAY	123456-1-52-01	TYPICAL SECTION



**TYPICAL SECTION
SR 22**

STA. 202+33.00 TO STA. 560+50.00

TRAVEL AND BIKE LANES

**OPTIONAL BASE GROUP 9 WITH
TYPE SP STRUCTURAL COURSE (TRAFFIC B) (1 1/2")
AND FRICTION COURSE FC-12.5 (TRAFFIC B) (1 1/2")**

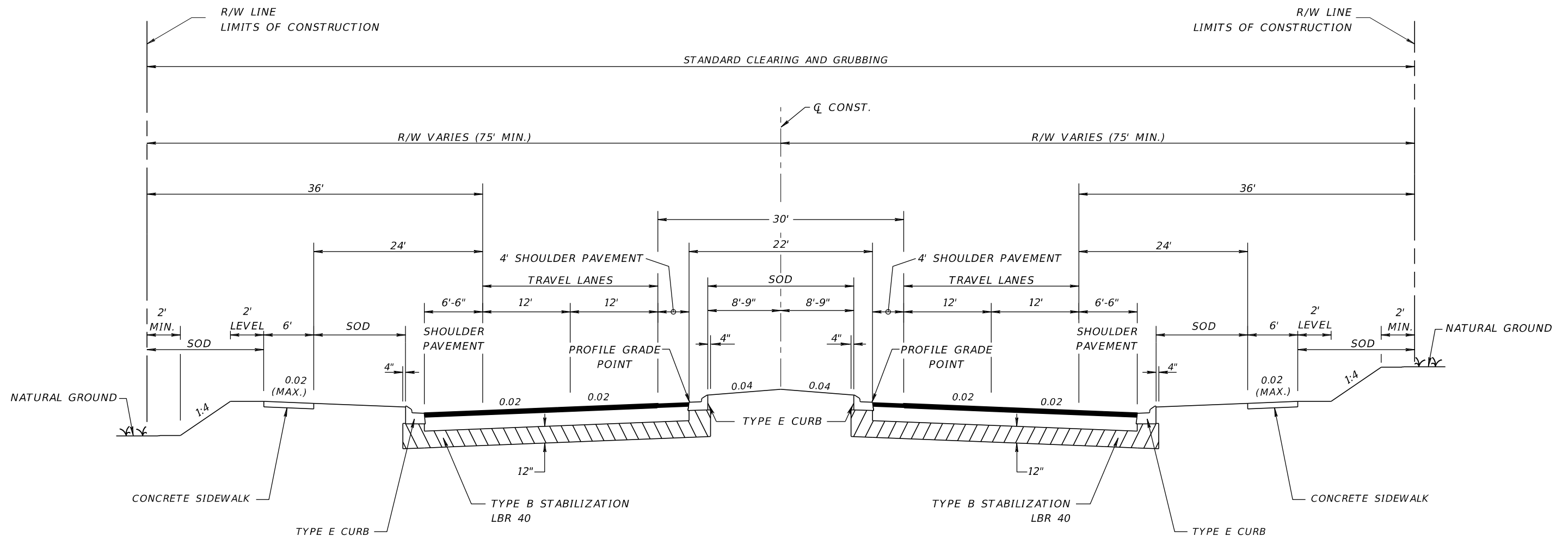
TRAFFIC DATA

CURRENT YEAR = 2018 AADT = 22800
 ESTIMATED OPENING YEAR = 2020 AADT = 25800
 ESTIMATED DESIGN YEAR = 2040 AADT = 30600
 K = 6% D = 55% T = 2% (24 HOUR)
 DESIGN HOUR T = 1%
 DESIGN SPEED = 40 MPH

**Exhibit 306-5
4-Lane Curbed
Date: 1/1/19**

REVISIONS				LUKE S. WALKER, P.E. P.E. NO.: 99991 ROADWAY ENGINEERS, INC. 123 MAIN STREET TALLAHASSEE, FL 32301 CERTIFICATE OF AUTHORIZATION: 12345	STATE OF FLORIDA DEPARTMENT OF TRANSPORTATION			SHEET NO.
DATE	DESCRIPTION	DATE	DESCRIPTION		ROAD NO.	COUNTY	FINANCIAL PROJECT ID	
					SR 22	BAY	123456-1-52-01	TYPICAL SECTION

THE OFFICIAL RECORD OF THIS SHEET IS THE ELECTRONIC FILE DIGITALLY SIGNED AND SEALED UNDER RULE 61G15-23.004, F.A.C.



**TYPICAL SECTION
SR 22**

STA. 560+50.00 TO STA. 882+25.00

TRAVEL LANES AND SHOULDER PAVEMENT
 OPTIONAL BASE GROUP 9 WITH
 TYPE SP STRUCTURAL COURSE (TRAFFIC B) (2 1/2")
 AND FRICTION COURSE FC-12.5 (1 1/2")

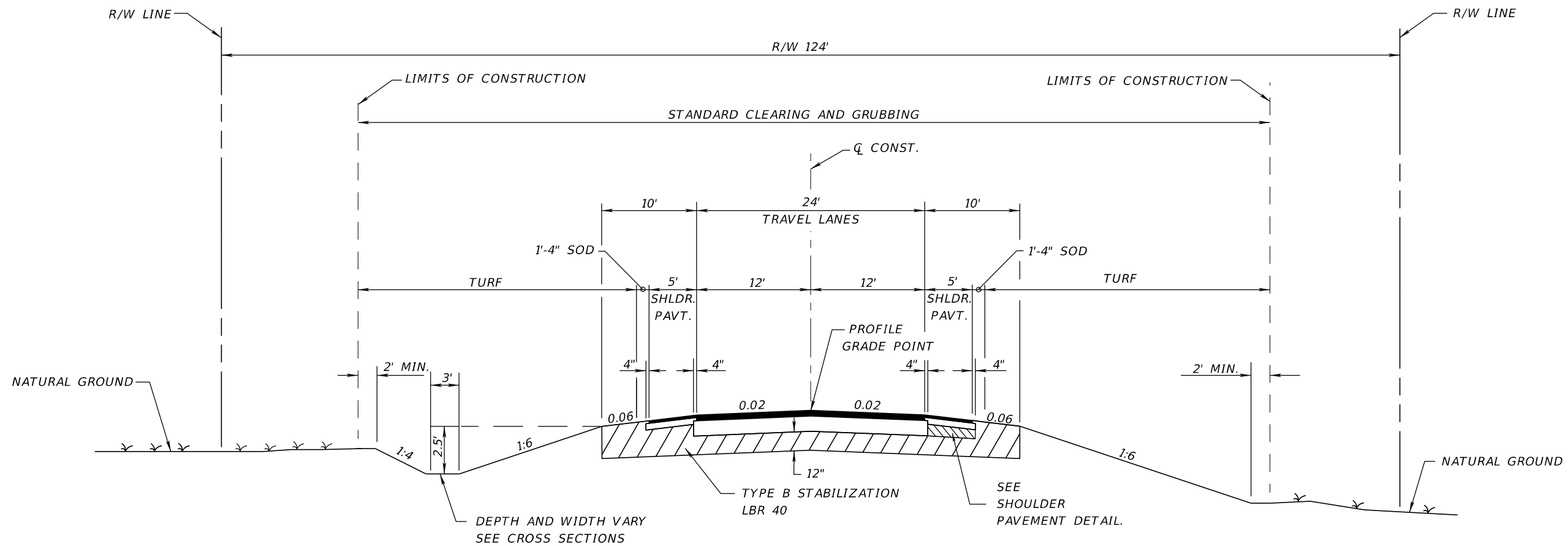
TRAFFIC DATA

CURRENT YEAR = 2018 AADT = 22800
 ESTIMATED OPENING YEAR = 2020 AADT = 25800
 ESTIMATED DESIGN YEAR = 2040 AADT = 30600
 K = 6% D = 55% T = 2% (24 HOUR)
 DESIGN HOUR T = 1%
 DESIGN SPEED = 50 MPH

Exhibit 306-6
4-Lane High Speed Curbed
Date: 1/1/18

REVISIONS				LUKE S. WALKER, P.E. P.E. NO.: 99991 ROADWAY ENGINEERS, INC. 123 MAIN STREET TALLAHASSEE, FL 32301 CERTIFICATE OF AUTHORIZATION: 12345	STATE OF FLORIDA DEPARTMENT OF TRANSPORTATION			SHEET NO.
DATE	DESCRIPTION	DATE	DESCRIPTION		ROAD NO.	COUNTY	FINANCIAL PROJECT ID	
					SR 22	BAY	123456-1-52-01	TYPICAL SECTION

THE OFFICIAL RECORD OF THIS SHEET IS THE ELECTRONIC FILE DIGITALLY SIGNED AND SEALED UNDER RULE 61G15-23.004, F.A.C.



**TYPICAL SECTION
SR 22
STA. 10+00.00 TO STA. 98+40.00**

TRAFFIC DATA

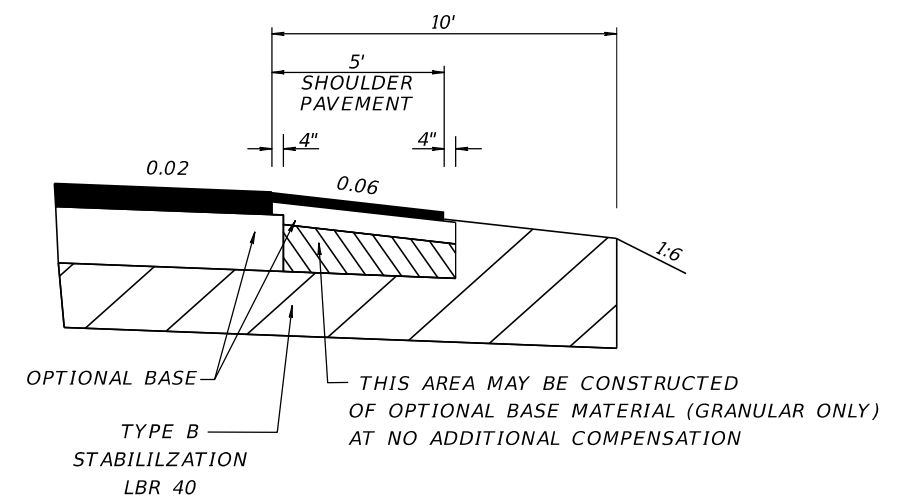
CURRENT YEAR = 2018 AADT = 6800
 ESTIMATED OPENING YEAR = 2020 AADT = 7600
 ESTIMATED DESIGN YEAR = 2040 AADT = 12000
 K = 6% D = 55% T = 2% (24 HOUR)
 DESIGN HOUR T = 1%
 DESIGN SPEED = 55 MPH

TRAVEL LANES

OPTIONAL BASE GROUP 8 WITH
 TYPE SP STRUCTURAL COURSE (TRAFFIC C) (2")
 AND FRICTION COURSE FC-12.5 (TRAFFIC C) (1 1/2")

SHOULDER PAVEMENT

OPTIONAL BASE GROUP 1 WITH
 FRICTION COURSE FC-12.5 (TRAFFIC C) (1 1/2")

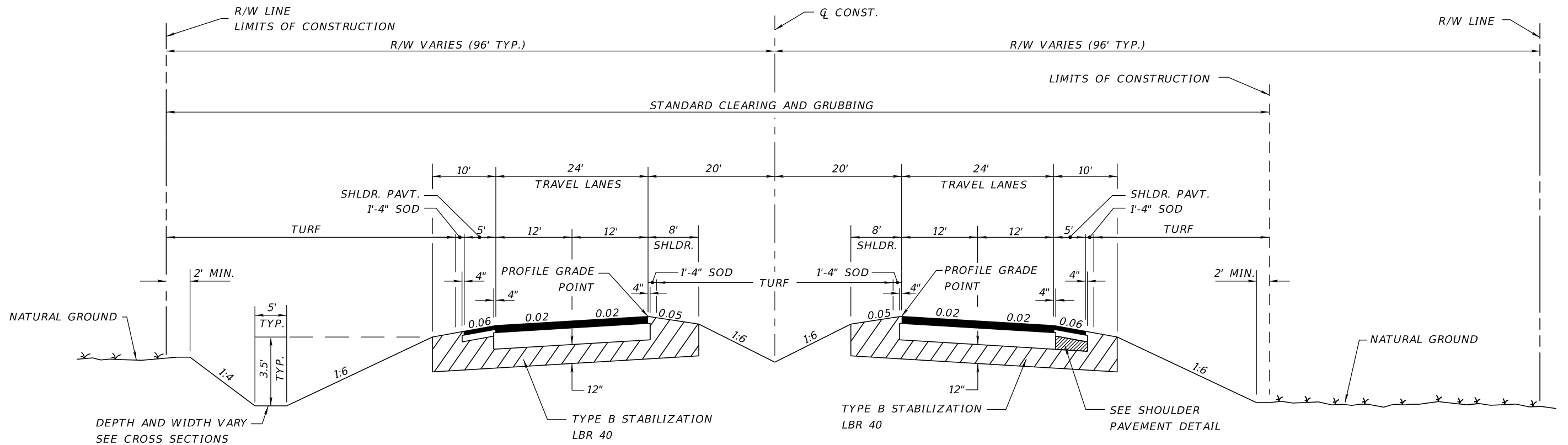


SHOULDER PAVEMENT DETAIL

Exhibit 306-7
 2-Lane Flush Shoulder
 Date: 1/1/18

REVISIONS				LUKE S. WALKER, P.E. P.E. NO.: 99991 ROADWAY ENGINEERS, INC. 123 MAIN STREET TALLAHASSEE, FL 32301 CERTIFICATE OF AUTHORIZATION: 12345	STATE OF FLORIDA DEPARTMENT OF TRANSPORTATION			SHEET NO.
DATE	DESCRIPTION	DATE	DESCRIPTION		ROAD NO.	COUNTY	FINANCIAL PROJECT ID	
					SR 22	BAY	123456-1-52-01	TYPICAL SECTION

THE OFFICIAL RECORD OF THIS SHEET IS THE ELECTRONIC FILE DIGITALLY SIGNED AND SEALED UNDER RULE 61G15-23.004, F.A.C.



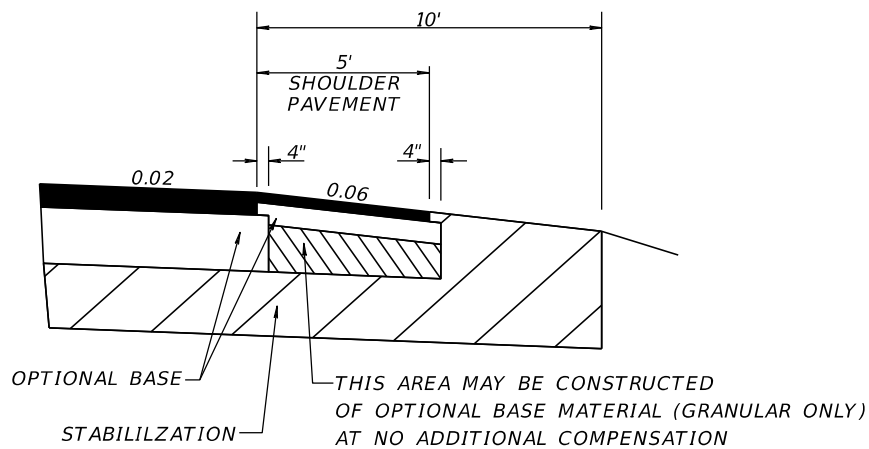
TRAFFIC DATA

CURRENT YEAR = 2018 AADT = 22300
 ESTIMATED OPENING YEAR = 2020 AADT = 23300
 ESTIMATED DESIGN YEAR = 2040 AADT = 51500
 K = 9% D = 56% T = 10% (24 HOUR)
 DESIGN HOUR T = 5%
 DESIGN SPEED = 55 MPH

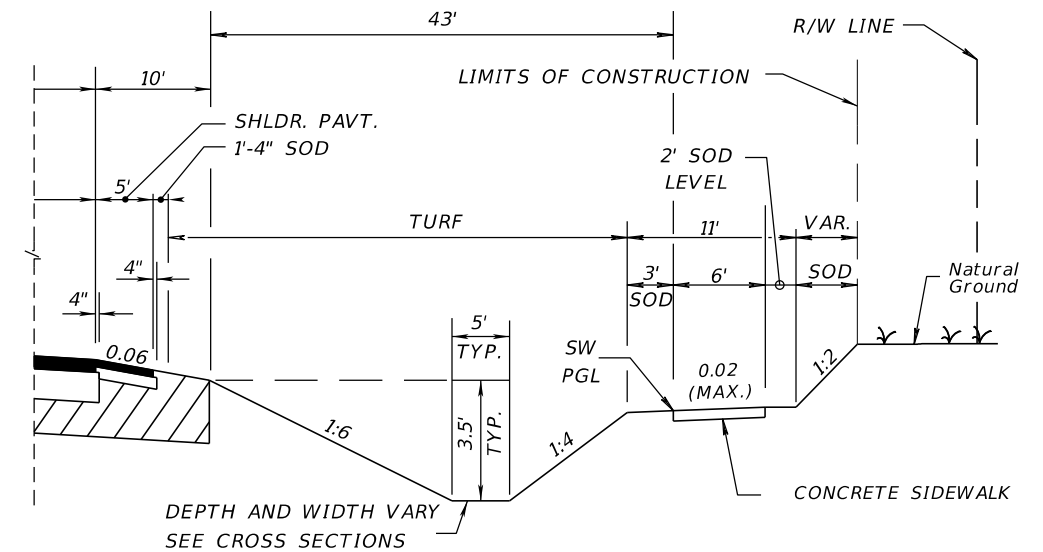
**TYPICAL SECTION
 SR 22
 STA. 63+65.42 TO STA. 328+65.14**

TRAVEL LANES
 OPTIONAL BASE GROUP 9 WITH
 TYPE SP STRUCTURAL COURSE (TRAFFIC D) (3 1/2")
 AND FRICTION COURSE FC-5 (3/4") (PG 76-22)

SHOULDER PAVEMENT
 OPTIONAL BASE GROUP 1 WITH
 TYPE SP STRUCTURAL COURSE (TRAFFIC D) (1 1/2")
 AND FRICTION COURSE FC-5 (3/4") (PG 76-22)



SHOULDER PAVEMENT DETAIL

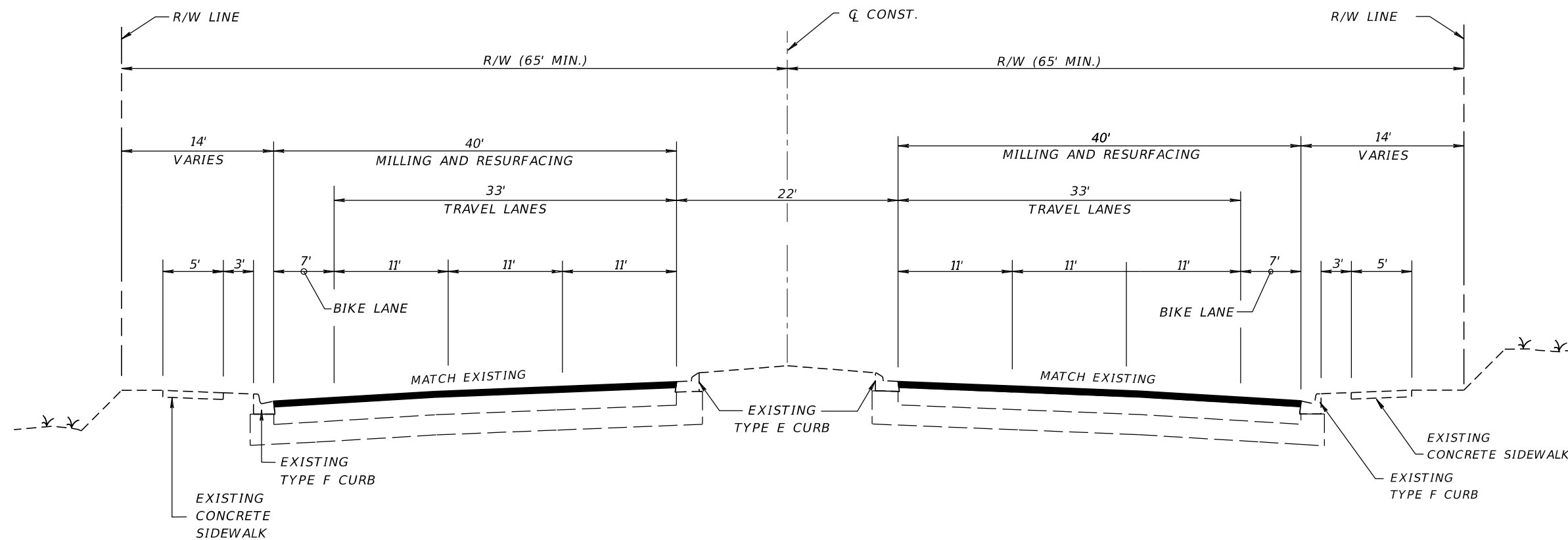


**TYPICAL SECTION
 STA. 157+75.40 TO STA. 215+45.22**

**Exhibit 306-8
 4-Lane Flush Shoulder
 Date: 1/1/18**

REVISIONS				LUKE S. WALKER, P.E. P.E. NO.: 99991 ROADWAY ENGINEERS, INC. 123 MAIN STREET TALLAHASSEE, FL 32301 CERTIFICATE OF AUTHORIZATION: 12345	STATE OF FLORIDA DEPARTMENT OF TRANSPORTATION			SHEET NO.
DATE	DESCRIPTION	DATE	DESCRIPTION		ROAD NO.	COUNTY	FINANCIAL PROJECT ID	
					SR 22	BAY	123456-1-52-01	

THE OFFICIAL RECORD OF THIS SHEET IS THE ELECTRONIC FILE DIGITALLY SIGNED AND SEALED UNDER RULE 61G15-23.004, F.A.C.



**TYPICAL SECTION
SR 22**

STA. 101+21.00 TO STA. 221+44.00

TRAVEL AND BIKE LANES

MILL EXISTING ASPHALT PAVEMENT (1 1/2" AVG. DEPTH)
FRICTION COURSE FC-12.5 (TRAFFIC C) (1 1/2")

TRAFFIC DATA

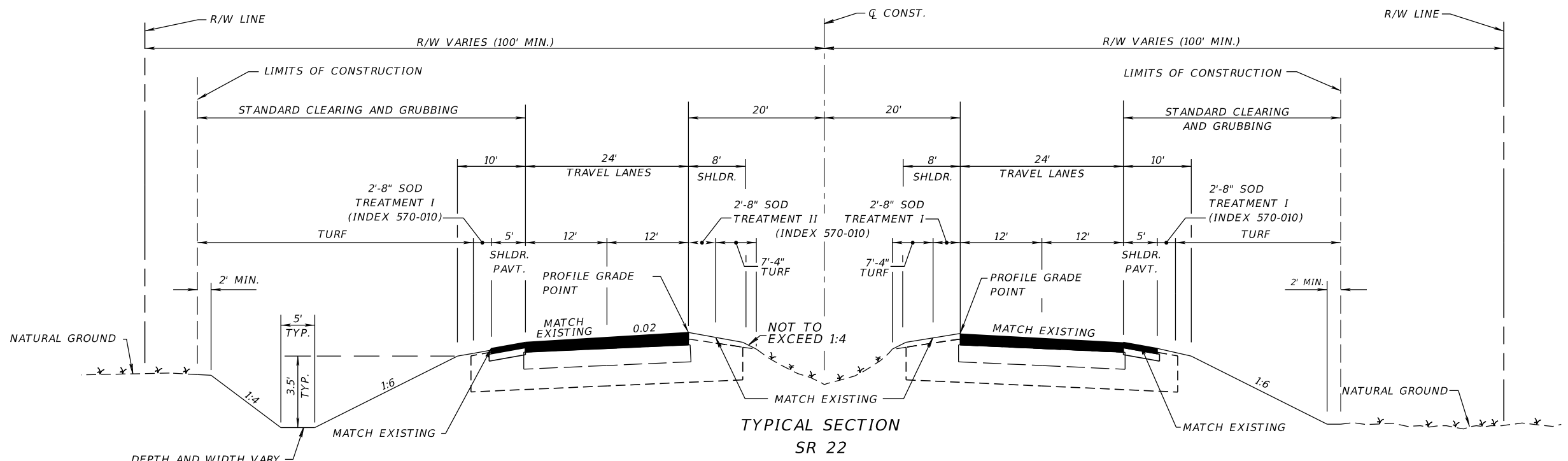
CURRENT YEAR = 2018 AADT = 22800
 ESTIMATED OPENING YEAR = 2020 AADT = 25800
 ESTIMATED DESIGN YEAR = 2040 AADT = 30600
 K = 6% D = 55% T = 2% (24 HOUR)
 DESIGN HOUR T = 1%
 DESIGN SPEED = 45 MPH

Exhibit 306-9
6-Lane Curbed
Date: 1/1/18

REVISIONS				LUKE S. WALKER, P.E. P.E. NO.: 99991 ROADWAY ENGINEERS, INC. 123 MAIN STREET TALLAHASSEE, FL 32301 CERTIFICATE OF AUTHORIZATION: 12345	STATE OF FLORIDA DEPARTMENT OF TRANSPORTATION			SHEET NO.
DATE	DESCRIPTION	DATE	DESCRIPTION		ROAD NO.	COUNTY	FINANCIAL PROJECT ID	
					SR 22	BAY	123456-1-52-01	TYPICAL SECTION

THE OFFICIAL RECORD OF THIS SHEET IS THE ELECTRONIC FILE DIGITALLY SIGNED AND SEALED UNDER RULE 61G15-23.004, F.A.C.

THE OFFICIAL RECORD OF THIS SHEET IS THE ELECTRONIC FILE DIGITALLY SIGNED AND SEALED UNDER RULE 61G15-23.004, F.A.C.



STA. 145+00.00 TO STA. 166+00.00

NOTE: SEE OVERBUILD AND RESURFACING DETAIL FOR INSIDE SOUTHBOUND LANE.

TRAFFIC DATA

CURRENT YEAR = 2018 AADT = 18100
 ESTIMATED OPENING YEAR = 2020 AADT = 21000
 ESTIMATED DESIGN YEAR = 2036 AADT = 38900
 K = 11% D = 58% T = 22% (24 HOUR)
 DESIGN HOUR T = 11%
 DESIGN SPEED = 60 MPH
 POSTED SPEED = 55 MPH

SOUTHBOUND INSIDE TRAVEL LANE

MILL EXISTING ASPHALT PAVEMENT FOR SLOPE (3" AVG. DEPTH)
 TYPE SP STRUCTURAL COURSE (TRAFFIC D) (1 1/2")
 TYPE SP STRUCTURAL COURSE (TRAFFIC D) (VARIES)
 AND FRICTION COURSE FC-5 (3/4") (PG 76-22)

SOUTHBOUND OUTSIDE TRAVEL LANE NORTHBOUND TRAVEL LANES

MILL EXISTING ASPHALT PAVEMENT FOR SLOPE (1 1/2" AVG. DEPTH)
 TYPE SP STRUCTURAL COURSE (TRAFFIC D) (1 1/2")
 AND FRICTION COURSE FC-5 (3/4") (PG 76-22)

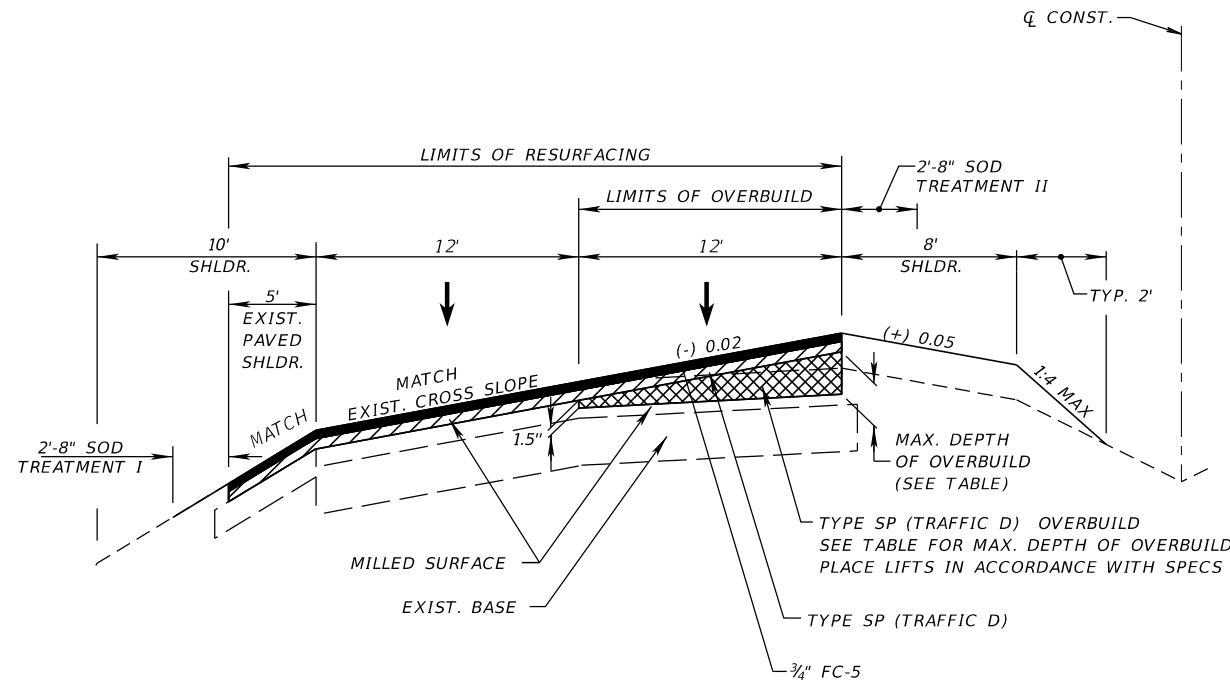
OUTSIDE SHOULDER PAVEMENT

MILL EXISTING ASPHALT PAVEMENT FOR SLOPE (1 1/2" AVG. DEPTH)
 TYPE SP STRUCTURAL COURSE (TRAFFIC D) (1 1/2")
 AND FRICTION COURSE FC-5 (3/4") (PG 76-22)

Exhibit 306-10A
4-Lane Flush Shoulder
 Date: 1/1/18

REVISIONS				LUKE S. WALKER, P.E. P.E. NO.: 99991 ROADWAY ENGINEERS, INC. 123 MAIN STREET TALLAHASSEE, FL 32301 CERTIFICATE OF AUTHORIZATION: 12345	STATE OF FLORIDA DEPARTMENT OF TRANSPORTATION			SHEET NO.
DATE	DESCRIPTION	DATE	DESCRIPTION		ROAD NO.	COUNTY	FINANCIAL PROJECT ID	
					SR 22	BAY	123456-1-52-01	TYPICAL SECTION

SOUTHBOUND INSIDE LANE
CROSS SLOPE CORRECTION



OVERBUILD
AND RESURFACING DETAIL

NTS

STA. 145+00.00 TO STA. 166+00.00

SR 22 SOUTHBOUND LANES

OVERBUILD DETAILS						
LOCATION		EXIST. SLOPE (%)	PROPOSED SLOPE (%)	MAX. DEPTH OF OVERBUILD (IN.)	WIDTH OF OVERBUILD (FT.)	AREA OF OVERBUILD (SQ. FT.)
STATION	LANE					
145+00.00	SOUTHBOUND - INSIDE	(+) 1.6	EXIST.	0.0	12.0	0.0
146+00.00	SOUTHBOUND - INSIDE	(+) 1.0	(-) 2.0	5.1	12.0	2.8
147+00.00	SOUTHBOUND - INSIDE	(+) 1.6	(-) 2.0	5.8	12.0	3.1
148+00.00	SOUTHBOUND - INSIDE	(+) 0.9	(-) 2.0	4.7	12.0	2.5
149+00.00	SOUTHBOUND - INSIDE	(+) 0.4	(-) 2.0	3.9	12.0	2.2
150+00.00	SOUTHBOUND - INSIDE	(+) 0.9	(-) 2.0	4.5	12.0	2.5
151+00.00	SOUTHBOUND - INSIDE	(+) 0.4	(-) 2.0	3.5	12.0	1.9
152+00.00	SOUTHBOUND - INSIDE	(+) 0.3	(-) 2.0	3.8	12.0	2.1
153+00.00	SOUTHBOUND - INSIDE	(+) 0.0	(-) 2.0	3.4	12.0	1.9
154+00.00	SOUTHBOUND - INSIDE	(+) 0.6	(-) 2.0	4.2	12.0	2.3
155+00.00	SOUTHBOUND - INSIDE	(+) 1.2	(-) 2.0	5.2	12.0	2.8
156+00.00	SOUTHBOUND - INSIDE	(+) 1.4	(-) 2.0	5.6	12.0	3.0
157+00.00	SOUTHBOUND - INSIDE	(+) 0.8	(-) 2.0	4.7	12.0	2.9
158+00.00	SOUTHBOUND - INSIDE	(+) 1.1	(-) 2.0	5.6	12.0	3.0
159+00.00	SOUTHBOUND - INSIDE	(+) 1.0	(-) 2.0	4.9	12.0	2.6
160+00.00	SOUTHBOUND - INSIDE	(+) 1.2	(-) 2.0	5.4	12.0	2.9
161+00.00	SOUTHBOUND - INSIDE	(+) 2.2	(-) 2.0	7.5	12.0	4.1
162+00.00	SOUTHBOUND - INSIDE	(+) 2.2	(-) 2.0	7.1	12.0	3.8
163+00.00	SOUTHBOUND - INSIDE	(+) 1.2	(-) 2.0	5.4	12.0	2.9
164+00.00	SOUTHBOUND - INSIDE	(+) 0.8	(-) 2.0	4.7	12.0	2.5
165+00.00	SOUTHBOUND - INSIDE	(+) 0.6	(-) 2.0	4.6	12.0	2.4
166+00.00	SOUTHBOUND - INSIDE	(+) 1.5	EXIST.	0.0	12.0	0.0

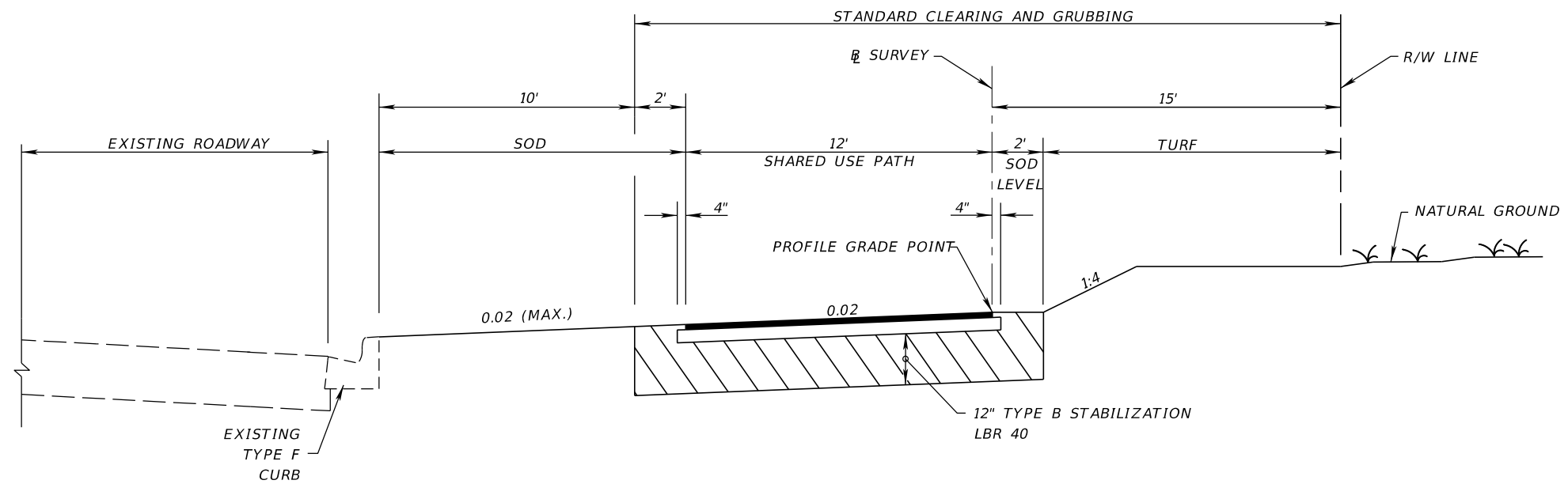
THE MINIMUM DESIRABLE CROSS SLOPE SHALL BE 1.5%.
NOTE: THE AREA OF OVERBUILD IS BASED ON MIN. 3/8" OVERBUILD LIFT THICKNESS.

Include the subtotals in the Summary of Pavement sheet as a line item named "Summary of Overbuild". Do not include contingency quantities associated with overbuild.

Exhibit 306-10B
Overbuild Details
Date: 1/1/19

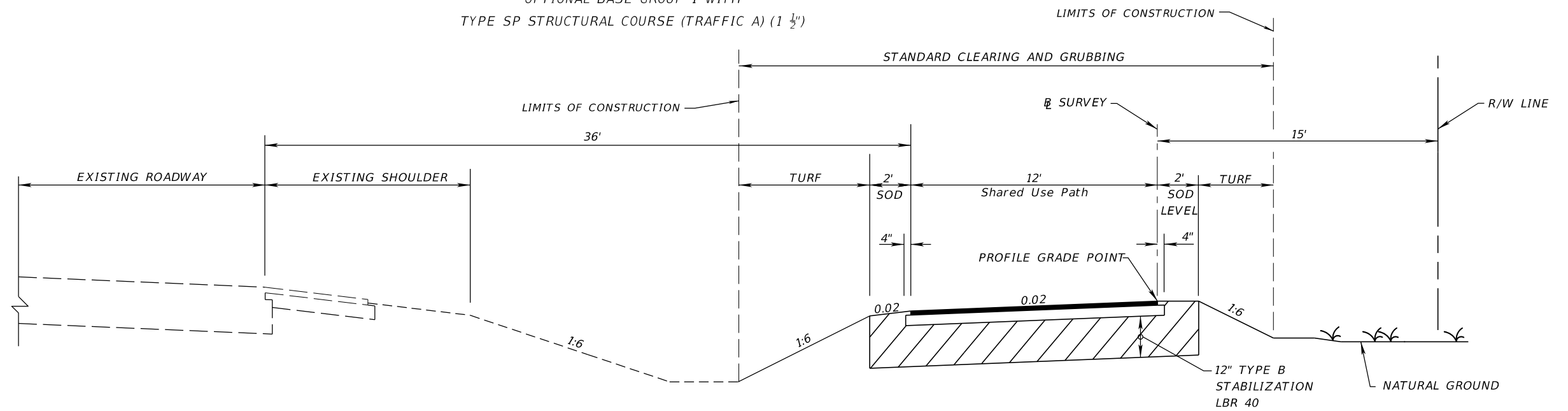
REVISIONS				LUKE S. WALKER, P.E. P.E. NO.: 99991 ROADWAY ENGINEERS, INC. 123 MAIN STREET TALLAHASSEE, FL 32301 CERTIFICATE OF AUTHORIZATION: 12345	STATE OF FLORIDA DEPARTMENT OF TRANSPORTATION			SHEET NO.
DATE	DESCRIPTION	DATE	DESCRIPTION		ROAD NO.	COUNTY	FINANCIAL PROJECT ID	
					SR 22	BAY	123456-1-52-01	

THE OFFICIAL RECORD OF THIS SHEET IS THE ELECTRONIC FILE DIGITALLY SIGNED AND SEALED UNDER RULE 61G15-23.004, F.A.C.



TYPICAL SECTION
SR 22 (WILLOW BEND WAY)
STA. 122+00.000 TO STA. 210+65.000

SHARED USE PATH
 OPTIONAL BASE GROUP 1 WITH
 TYPE SP STRUCTURAL COURSE (TRAFFIC A) (1 1/2")



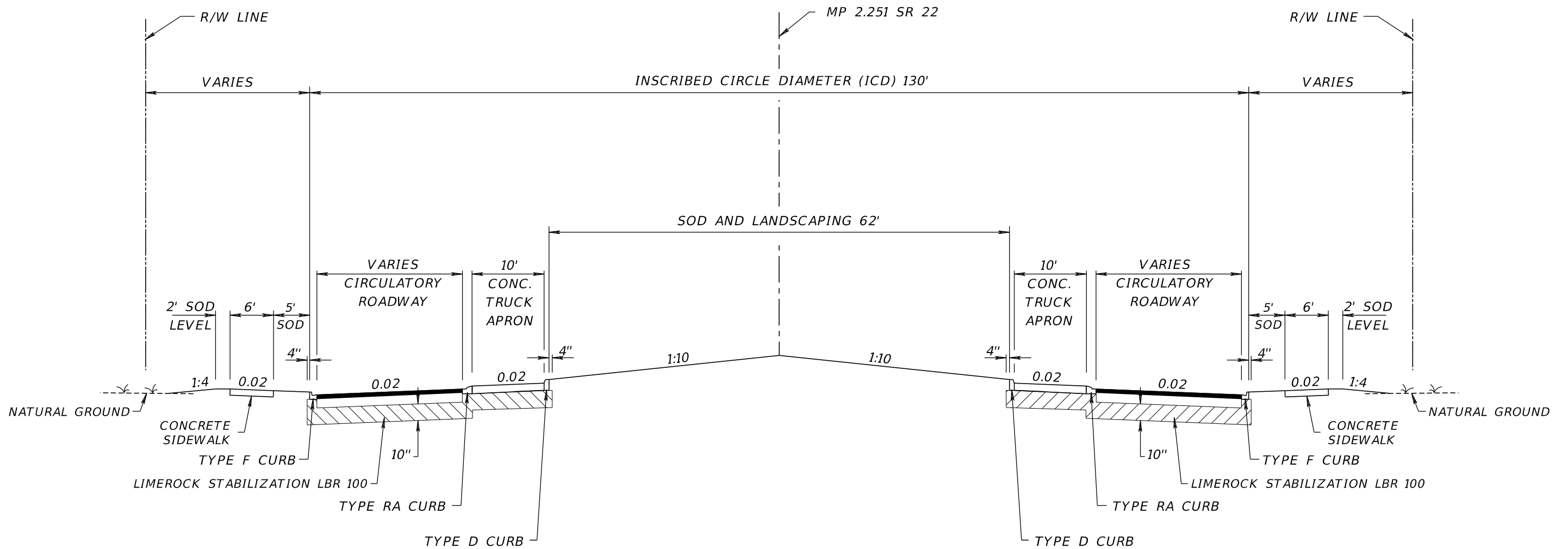
TYPICAL SECTION
SR 22 (WILLOW BEND WAY)
STA. 210+65.000 TO STA. 305+15.000

SHARED USE PATH
 OPTIONAL BASE GROUP 1 WITH
 TYPE SP STRUCTURAL COURSE (TRAFFIC A) (1 1/2")

Exhibit 306-11
Shared Use Path
Date: 1/1/18

REVISIONS				LUKE S. WALKER, P.E. P.E. NO.: 99991 ROADWAY ENGINEERS, INC. 123 MAIN STREET TALLAHASSEE, FL 32301 CERTIFICATE OF AUTHORIZATION: 12345	STATE OF FLORIDA DEPARTMENT OF TRANSPORTATION			SHEET NO.
DATE	DESCRIPTION	DATE	DESCRIPTION		ROAD NO.	COUNTY	FINANCIAL PROJECT ID	
					SR 22	BAY	123456-1-52-01	TYPICAL SECTION

THE OFFICIAL RECORD OF THIS SHEET IS THE ELECTRONIC FILE DIGITALLY SIGNED AND SEALED UNDER RULE 61G15-23.004, F.A.C.



TYPICAL SECTION
 MP 2.251 SR 22 = Q ALDERAAN RD.

TRAFFIC DATA

CURRENT YEAR = 2018 AADT = 22800
 ESTIMATED OPENING YEAR = 2020 AADT = 25800
 ESTIMATED DESIGN YEAR = 2040 AADT = 30600
 K = 6% D = 55% T = 2% (24 HOUR)
 DESIGN HOUR T = 1%

CIRCULATORY ROADWAY

OPTIONAL BASE GROUP 9 WITH
 TYPE SP STRUCTURAL COURSE (TRAFFIC C) (1")
 AND FRICTION COURSE FC-9.5 (TRAFFIC C) (2")

Exhibit 306-12
Roundabout
 Date: 1/1/19

NOT TO SCALE

REVISIONS				LUKE S. WALKER, P.E. P.E. NO.: 99991 ROADWAY ENGINEERS, INC. 123 MAIN STREET TALLAHASSEE, FL 32301 CERTIFICATE OF AUTHORIZATION: 12345	STATE OF FLORIDA DEPARTMENT OF TRANSPORTATION			SHEET NO.
DATE	DESCRIPTION	DATE	DESCRIPTION		ROAD NO.	COUNTY	FINANCIAL PROJECT ID	
					SR 22	BAY	123456-1-52-01	

THE OFFICIAL RECORD OF THIS SHEET IS THE ELECTRONIC FILE DIGITALLY SIGNED AND SEALED UNDER RULE 61G15-23.004, F.A.C.