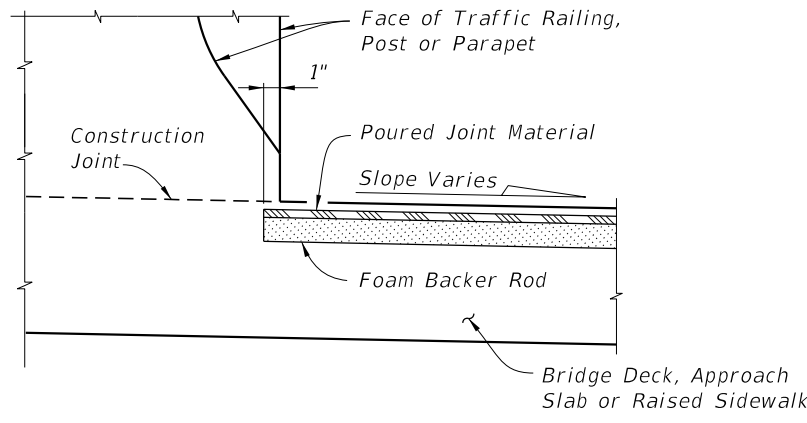
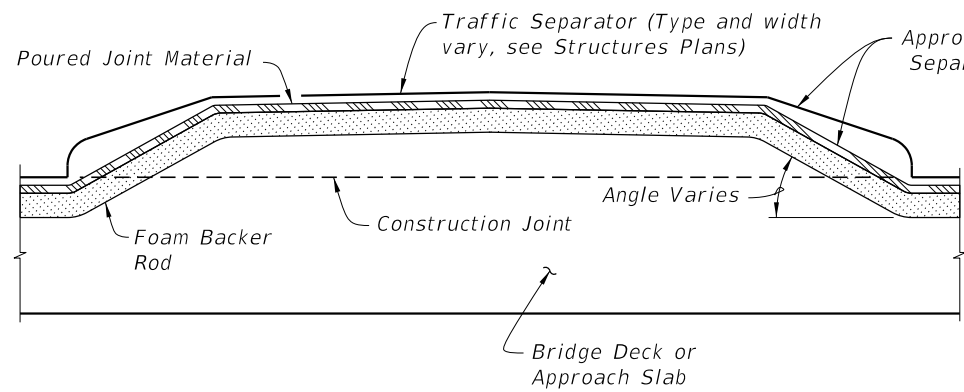


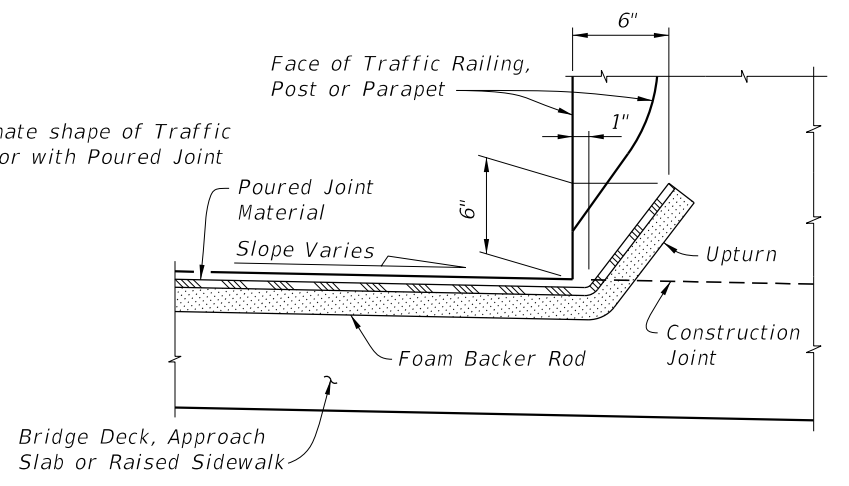
C:\projects\standards\structures\current\ready\4release\2012book_draft\21110-1of2.dgn
 rd960/h
 11:51:20 AM
 12/30/2011



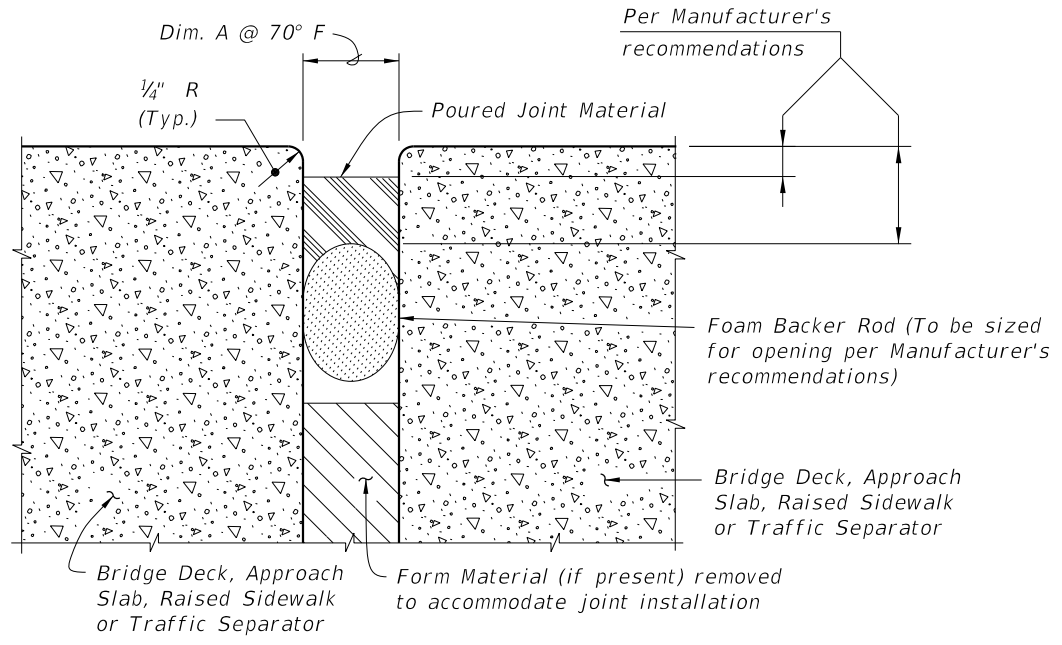
**PARTIAL SECTION ALONG Q JOINT
JOINT TREATMENT AT HIGH SIDE OF
DECK WITH SLOPES 2% OR GREATER**



**PARTIAL SECTION ALONG Q JOINT,
JOINT TREATMENT AT TRAFFIC SEPARATOR**



**PARTIAL SECTION ALONG Q JOINT
JOINT TREATMENT AT LOW SIDE OF DECK OR
HIGH SIDE OF DECK WITH SLOPES < 2%**

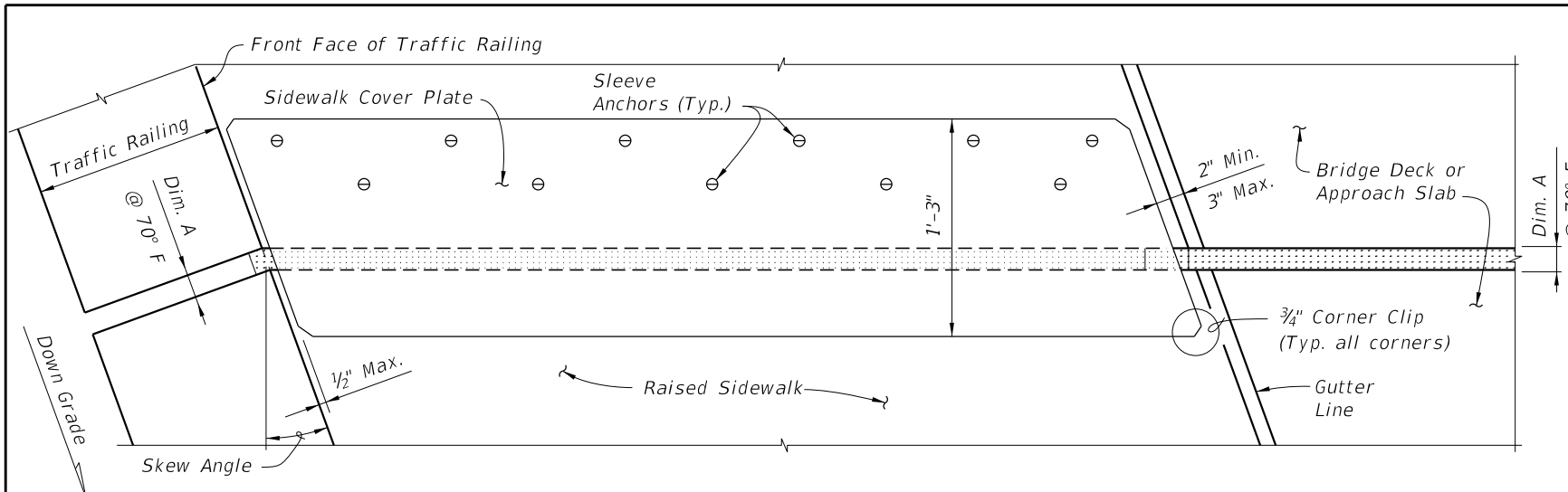


TYPICAL SECTION THRU JOINT

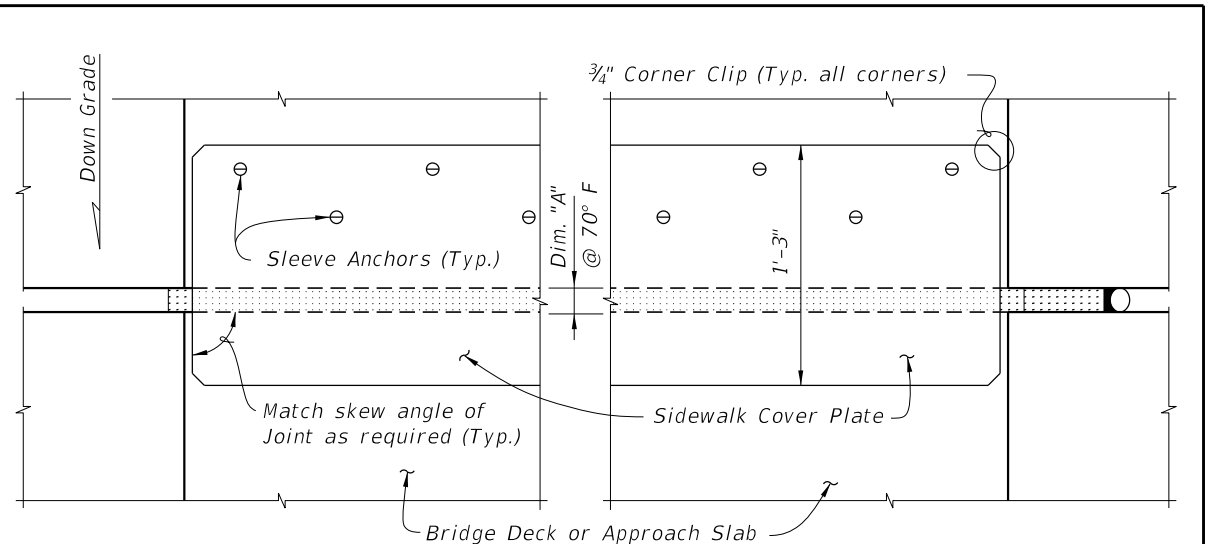
GENERAL NOTES:

1. Furnish Poured Joint With Backer Rod Expansion Joint Systems in accordance with Specification Section 458 and 932.
2. Submit shop drawings for Sidewalk Cover Plates showing all materials and project specific details and dimensions.
3. Refer to Specification Section 458 for installation and construction requirements.
4. Refer to the Structures Plans, Poured Expansion Joint Data Table for Dim. A @ 70° F.

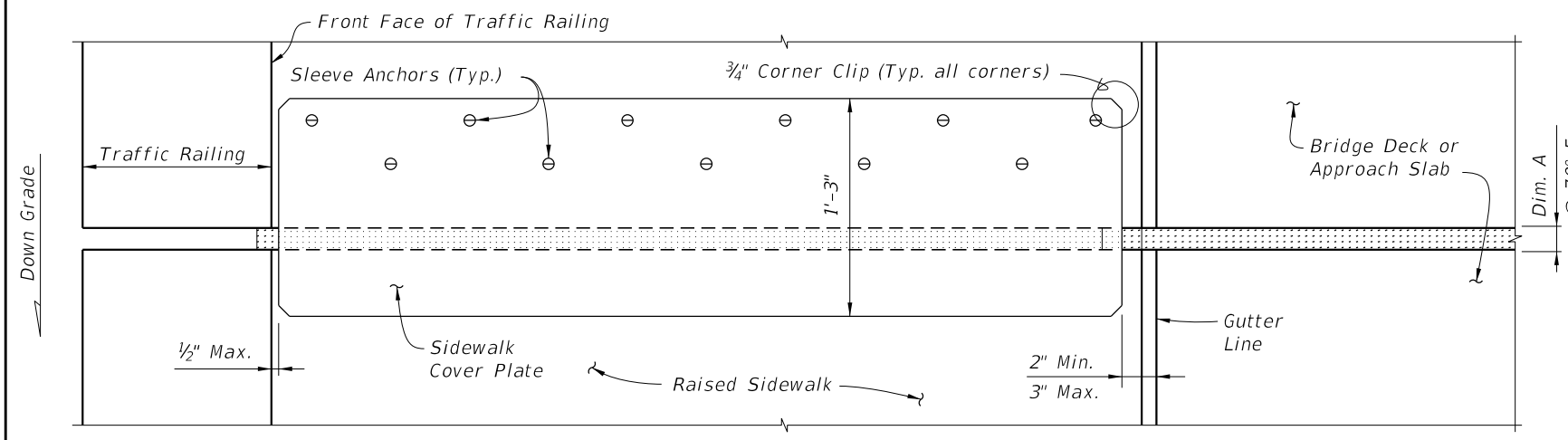
LAST REVISION	REVISION	DESCRIPTION:	FDOT DESIGN STANDARDS FY 2012/2013	POURED JOINT WITH BACKER ROD EXPANSION JOINT SYSTEM	INDEX NO. 21110	SHEET NO. 1
01/01/11						



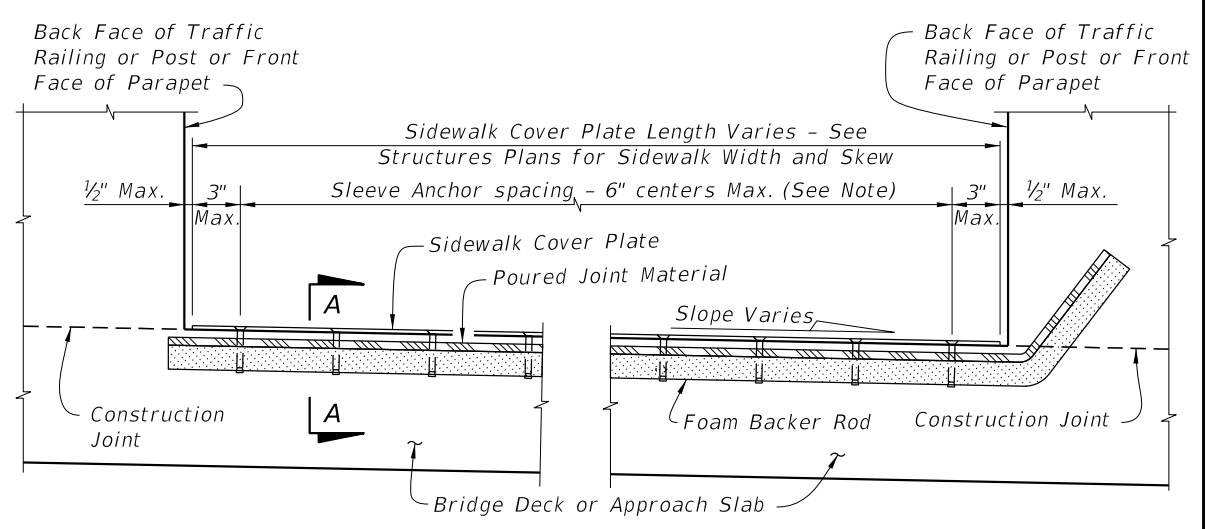
PARTIAL PLAN VIEW OF SKEWED JOINTS



PARTIAL PLAN VIEW

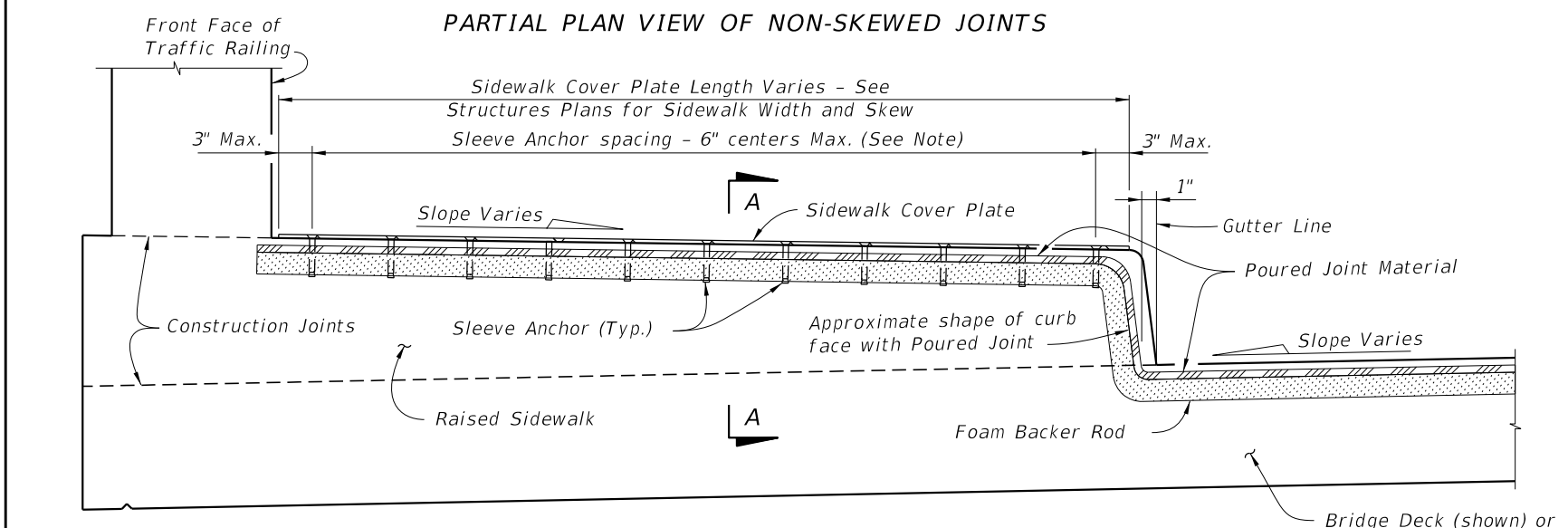


PARTIAL PLAN VIEW OF NON-SKEWED JOINTS



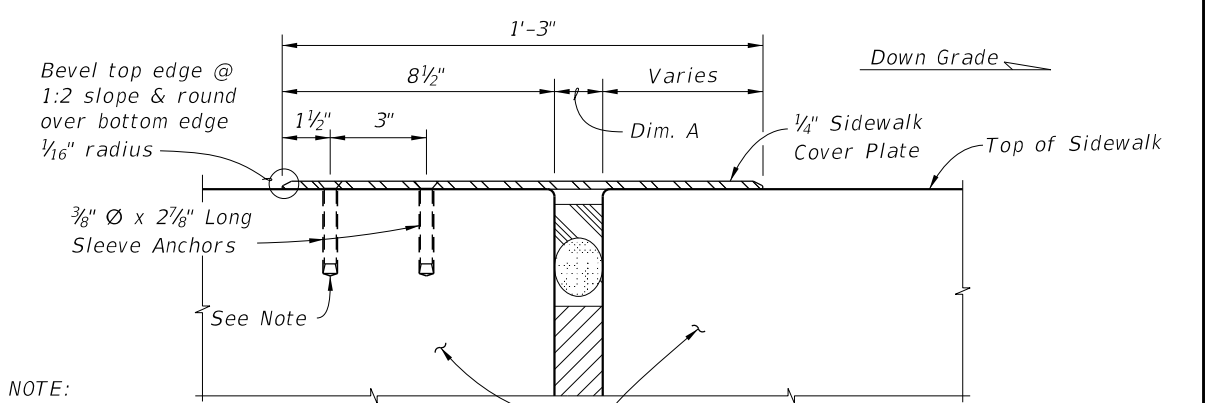
PARTIAL SECTION ALONG Q-JOINT

FLUSH SIDEWALK DETAIL



PARTIAL SECTION ALONG Q-JOINT

RAISED SIDEWALK DETAIL



NOTE: Sleeve Anchors are required at both corners of Sidewalk Cover Plate. Reduce Sleeve Anchor max. spacing to provide uniform spacing.

SECTION A-A

C:\projects\standards\structures\current\ready\4release\2012book_draft\21110-2of2.dgn rd960rh 11:51:21 AM 12/30/2011

LAST REVISION 01/01/11	DESCRIPTION:	 FDOT DESIGN STANDARDS FY 2012/2013	POURED JOINT WITH BACKER ROD EXPANSION JOINT SYSTEM	INDEX NO. 21110	SHEET NO. 2
REVISION					