

PRESTRESSED CONCRETE PILE NOTES:

DESIGN SPECIFICATIONS:

Florida Department of Transportation (FDOT) "Structures Design Guidelines", current edition.

American Association of State Highway and Transportation Officials (AASHTO) "LRFD Bridge Design Specifications", current edition.

SPIRAL TIES:

Each wrap of spirals shall be tied to at least two corner strands. One turn required for spiral splices.

CONCRETE CLASS:

Concrete for all piles shall be Class V (Special) except designated High Moment Capacity Piles (Index 20631) shall be Class VI.

Concrete for the High Capacity Collar Splice shall be Class V (Special).

See "GENERAL NOTES" in Structures Plans for any specific locations where the use of Silica Fume is required.

CONCRETE STRENGTH:

The pile cylinder strength shall be 6,000 psi minimum at 28 days and 4,000 psi minimum at time of transfer of the Prestressing Force. The cylinder strength for designated High Moment Capacity Piles (Index 20631) shall be 8,500 psi minimum at 28 days and 6,500 psi minimum at time of transfer of the Prestressing Force.

SPLICE BONDING MATERIAL:

The material to fill dowel holes and form the joint between pile sections shall be a Type B Epoxy Compound in accordance with Specification Section 926 and shall be contained on the Qualified Products List (QPL). Use Epoxy Bonding Compound or Epoxy Mortar as recommended by the Manufacturer. For Epoxy Mortar only use sand or other filler material supplied by the manufacturer and in the proportions recommended.

PICK-UP POINTS:

Piles shall be marked at the pick-up points to indicate proper points for attaching handling lines.

REINFORCING STEEL:

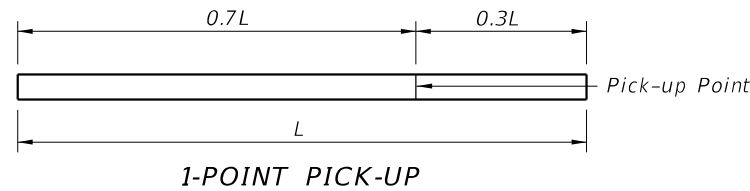
All reinforcing steel shall be Grade 60, except that spiral ties shall be manufactured from cold-drawn steel wire meeting the requirements of ASTM A82.

PRESTRESSING STEEL:

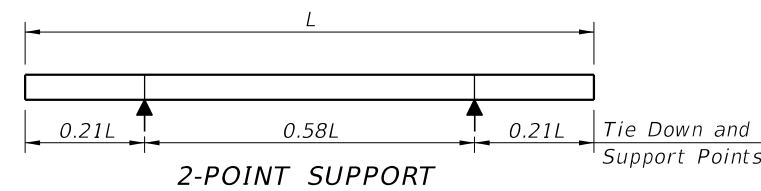
Prestressing steel shall be seven-wire strand, Grade 270, Low-Relaxation Strand (LRS).

CORROSION PROTECTION OF EXPOSED STRANDS:

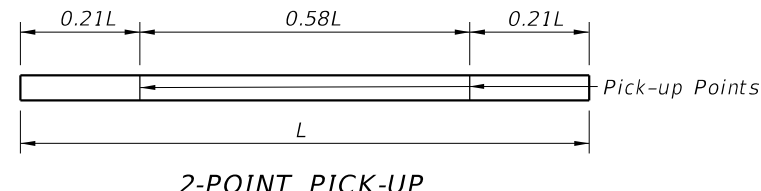
For all piles having ends exposed to the environment and not embedded under final conditions, protect the strands as follows: Prior to shipment, cut strands at appropriate end(s) back to a minimum depth of 1 inch below the concrete surface and patch with a Type F epoxy compound meeting the requirements of Specification Section 926.



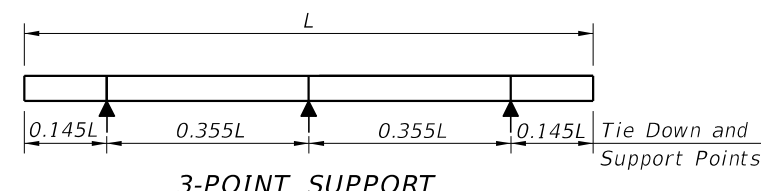
1-POINT PICK-UP



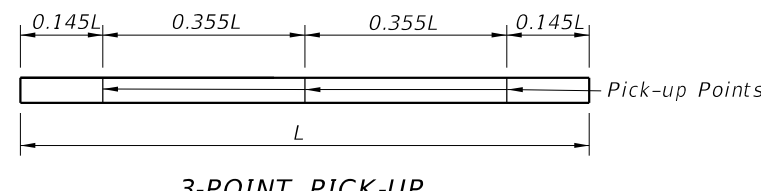
2-POINT SUPPORT



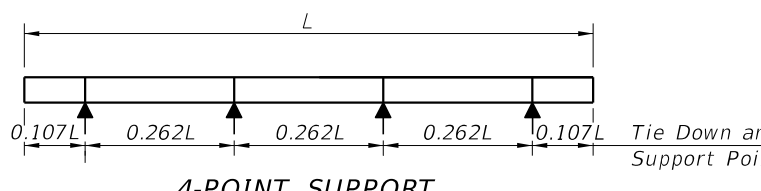
2-POINT PICK-UP



3-POINT SUPPORT



3-POINT PICK-UP

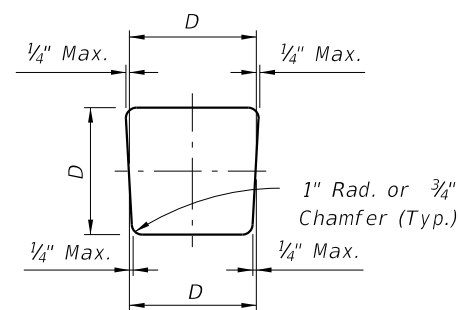


4-POINT SUPPORT

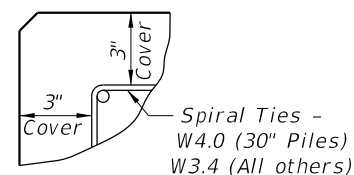
PILE PICK-UP DETAILS

STORAGE AND TRANSPORTATION SUPPORT DETAILS

TABLE OF MAXIMUM PILE PICK-UP AND SUPPORT LENGTHS								
	D = Square Pile Size (inches)						Required Storage and Transportation Detail	Pick-Up Detail
	12	14	18	20	24	30		
Maximum Pile Length (Feet)	48	52	59	62	68	87	2, 3, or 4 point	1 Point
	69	75	85	89	98	124	2, 3, or 4 point	2 Point
	99	107	121	128	140	178	3 or 4 point	3 Point



TYPICAL PILE SHAPE FOR MOLD FORMS



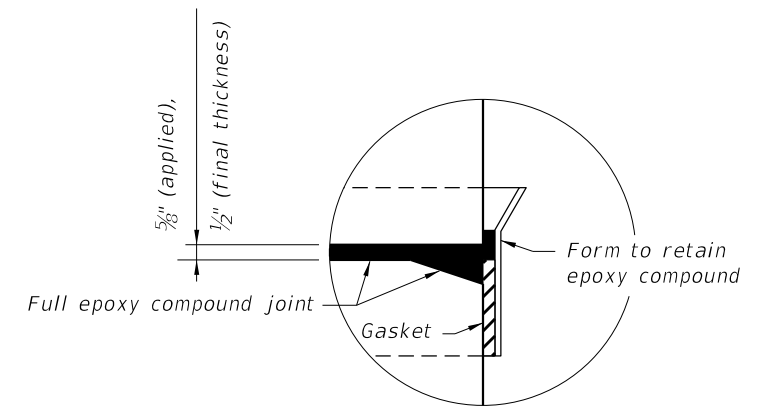
DETAIL SHOWING TYPICAL COVER

C:\projects\standards\structures\current\ready\4release\2012book_draft\20600-1of1.dgn 8:24:59 AM 12/30/2011 rd960rh

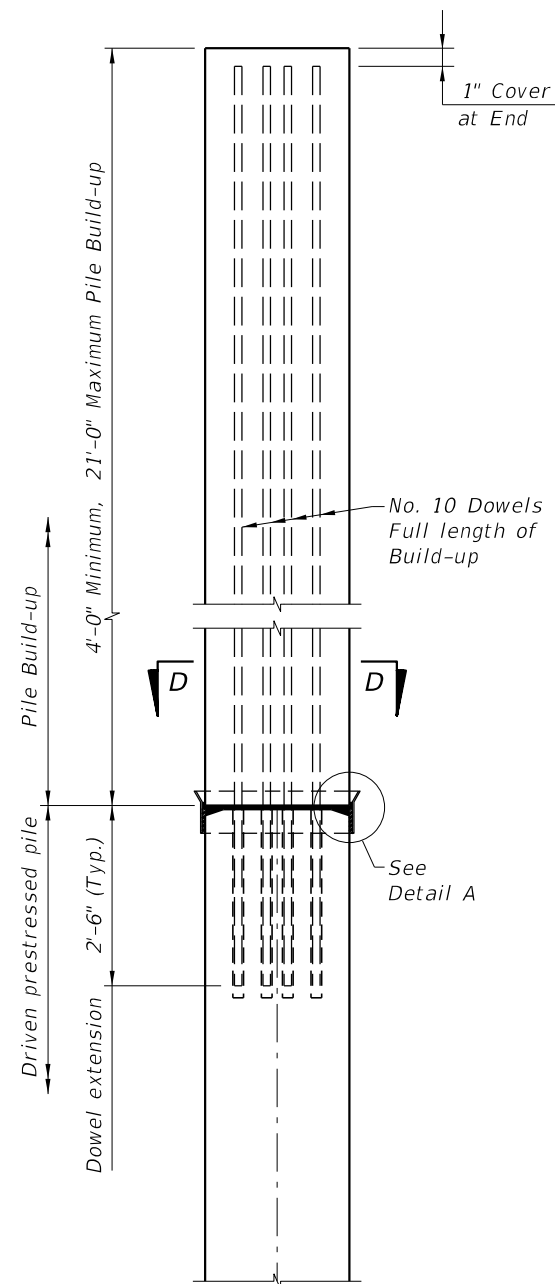
LAST REVISION 01/01/12	DESCRIPTION:	 FDOT DESIGN STANDARDS FY 2012/2013	NOTES AND DETAILS FOR SQUARE PRESTRESSED CONCRETE PILES	INDEX NO. 20600	SHEET NO. 1
REVISION					

NOTES:

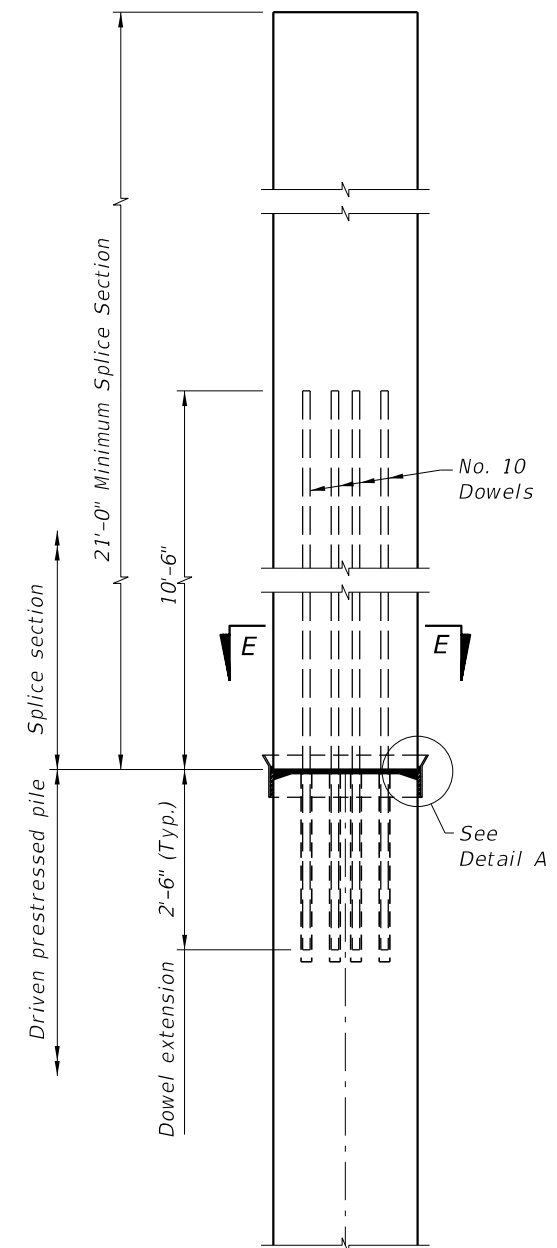
1. For Sections D-D, E-E, & F-F see Index Nos. 20612, 20614, 20618, 20620, 20624 or 20630 for applicable concrete pile size and Pile Splice Reinforcement Details.
2. Prestressing strands, spiral ties and/or reinforcement are not shown for clarity.
3. In cases where pile splices are desired due to length limitations in shipping and/or handling, the "Drivable Preplanned Prestressed Precast Splice Detail" shall be used. Mechanical Pile Splices contained on the Qualified Products List (QPL) may also be used.
4. When preformed dowel holes are utilized, the 1" spiral tie pitch shall be continued to 4'-0" below the head of the pile, See Index Nos. 20618, 20620 & 20624. Preformed holes shall utilize either removable preforming material or stay-in-place corrugated galvanized steel ducts. Stay-in-place ducts shall be fabricated from galvanized sheet steel meeting the requirements of ASTM A653, Coating Designation G90, 26 gauge. Ducts shall be 2" diameter with a minimum corrugation (rib) height of 0.12 in. Ducts shall be fabricated with either welded or interlocked seams. Galvanizing of welded seams will not be required.



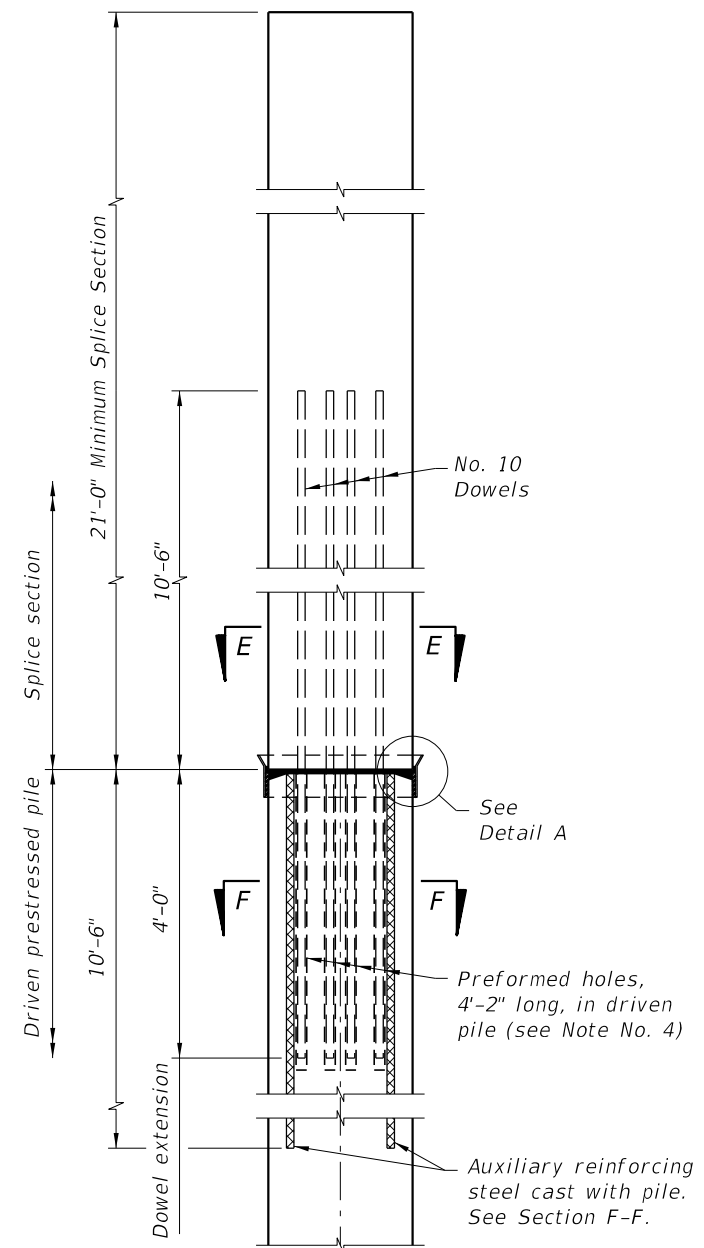
DETAIL A



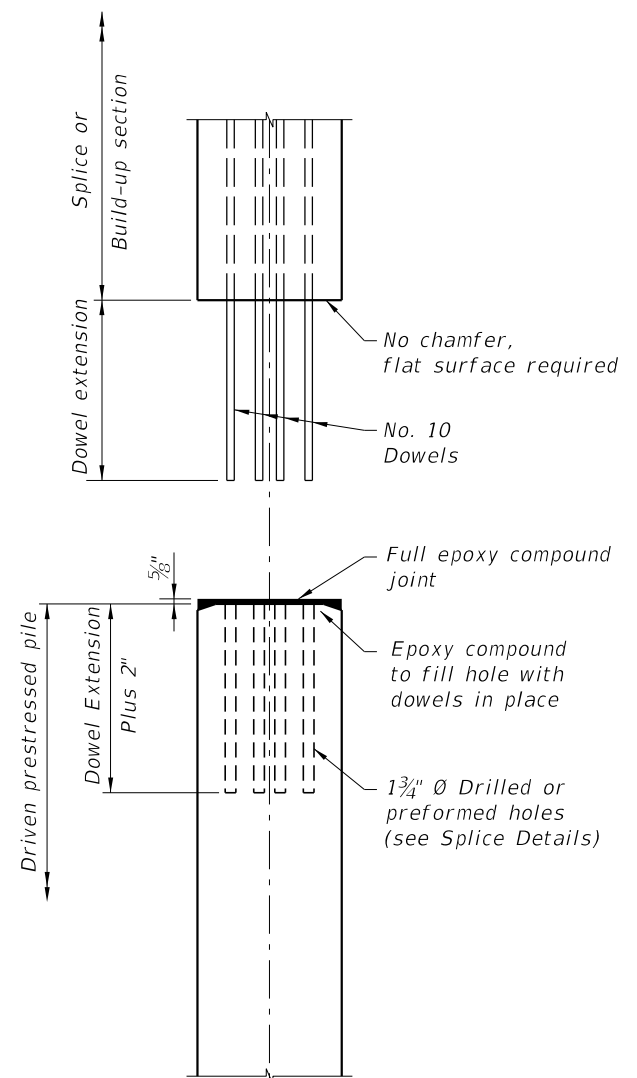
NONDRIVABLE UNFORESEEN REINFORCED PRECAST PILE BUILD-UP DETAIL



DRIVABLE UNFORESEEN PRESTRESSED PRECAST PILE SPLICE DETAIL




DRIVABLE PREPLANNED PRESTRESSED PRECAST PILE SPLICE DETAIL

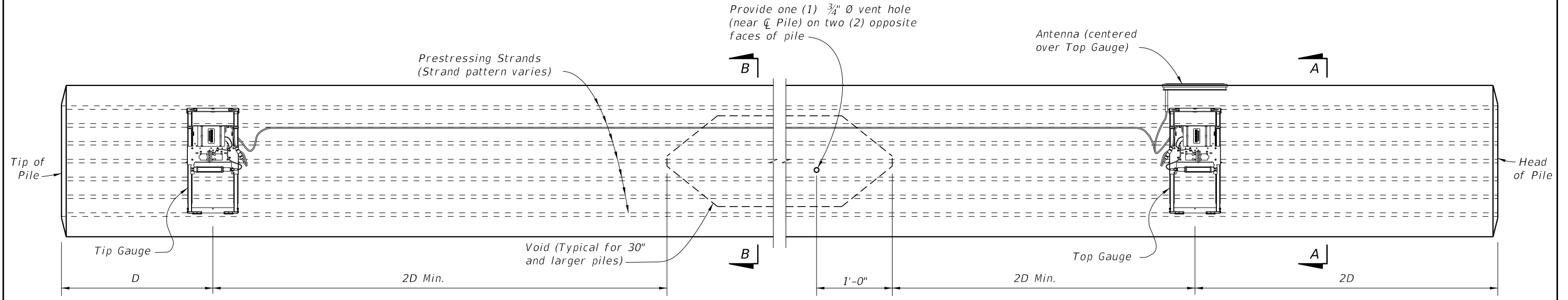


TYPICAL SPLICE BEFORE BONDING

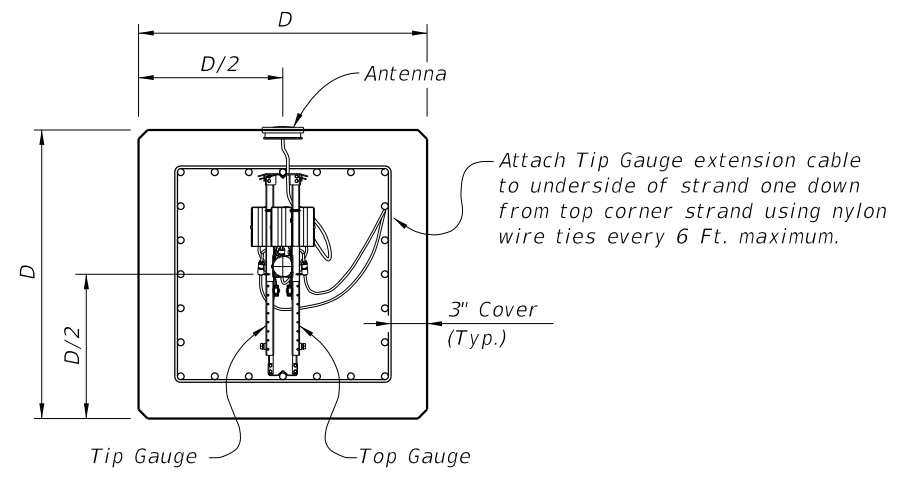
12/30/2011 8:25:00 AM rd960rh C:\projects\standards\structures\current\ready\4release\2012book_draft\20601-1of1.dgn

LAST REVISION	01/01/12	DESCRIPTION:		FDOT DESIGN STANDARDS FY 2012/2013	SQUARE PRESTRESSED CONCRETE PILE SPLICES	INDEX NO. 20601	SHEET NO. 1
---------------	----------	--------------	---------------------------------------------------------------------------------------	----------------------------------------------	-------------------------------------------------	---------------------------	-----------------------

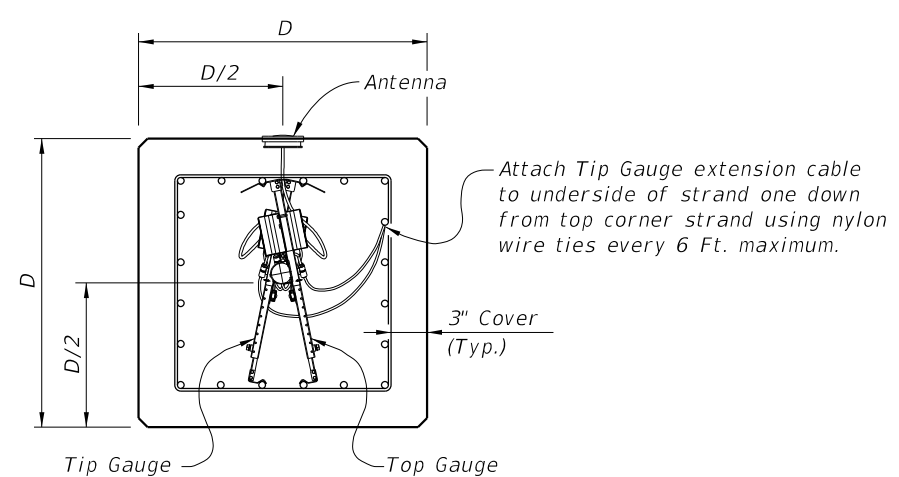
12/30/2011 8:25:00 AM rd9607h C:\projects\standards\structures\current\ready\4\release\2012book_draft\20602-1of1.dgn



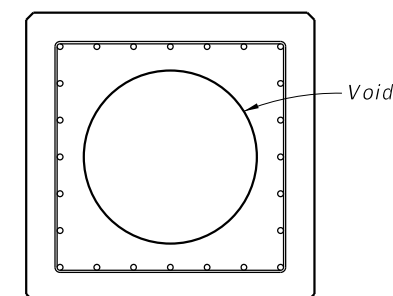
ELEVATION



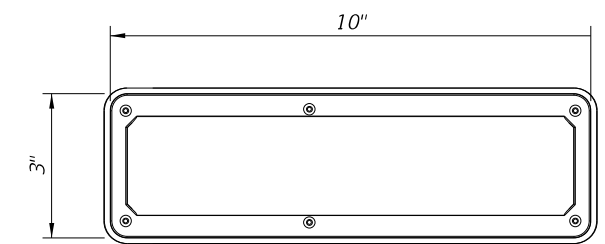
SECTION A-A
(Strand Pattern with odd number of strands per face)



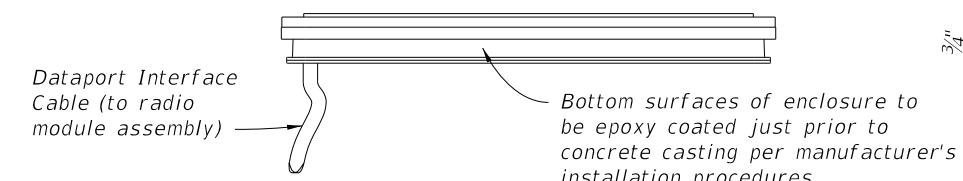
SECTION A-A
(Strand Pattern with even number of strands per face)



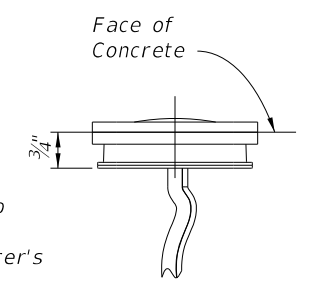
SECTION B-B
(Showing Voided Pile,
Solid Pile Similar)



ANTENNA TOP VIEW




ANTENNA SIDE VIEW

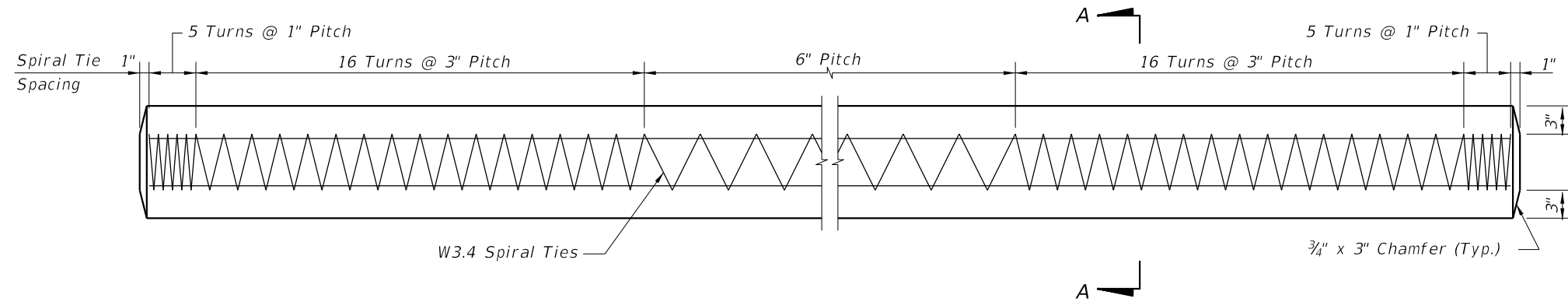


ANTENNA END VIEW

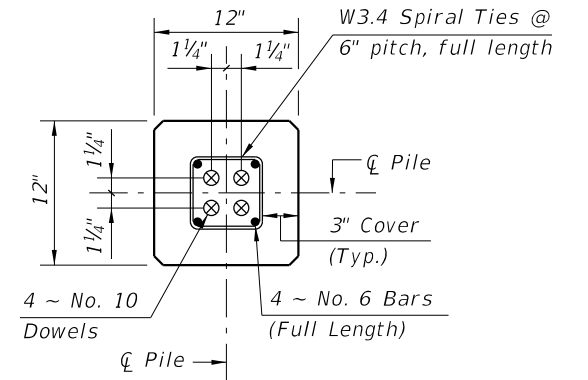
NOTE:
Provide EDC Instrumentation in square prestressed concrete piles (18" and larger) in accordance with Specification Section 455 for bridge foundations.

LAST REVISION	REVISION	DESCRIPTION:	 FDOT DESIGN STANDARDS FY 2012/2013	EDC INSTRUMENTATION FOR SQUARE PRESTRESSED CONCRETE PILES	INDEX NO.	SHEET NO.
01/01/12					20602	1

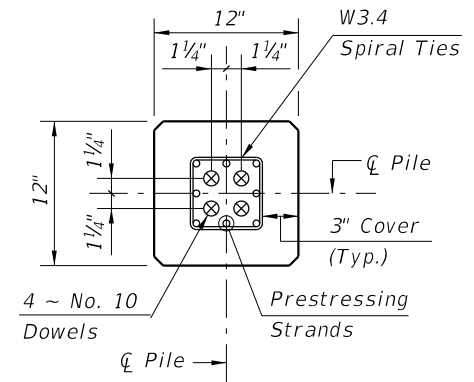
12/30/2011 8:25:01 AM rd960/h C:\projects\standards\structures\current\ready\release\2012book_draft\20612-1of1.dgn



ELEVATION



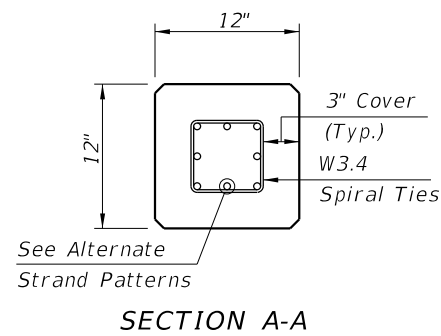
SECTION D-D
(See Nondrivable Unforeseen Reinforced Precast Pile Splice Detail)



SECTION E-E
(See Drivable Unforeseen Prestressed Precast Pile Splice Detail)

ALTERNATE STRAND PATTERNS

- 4 ~ 0.6" Ø, Grade 270 LRS, at 44 kips
- 8 ~ 1/2" Ø (Special), Grade 270 LRS, at 25 kips
- 8 ~ 1/2" Ø, Grade 270 LRS, at 24 kips
- 8 ~ 7/16" Ø, Grade 270 LRS, at 23 kips
- 12 ~ 3/8" Ø, Grade 270 LRS, at 16 kips



SECTION A-A

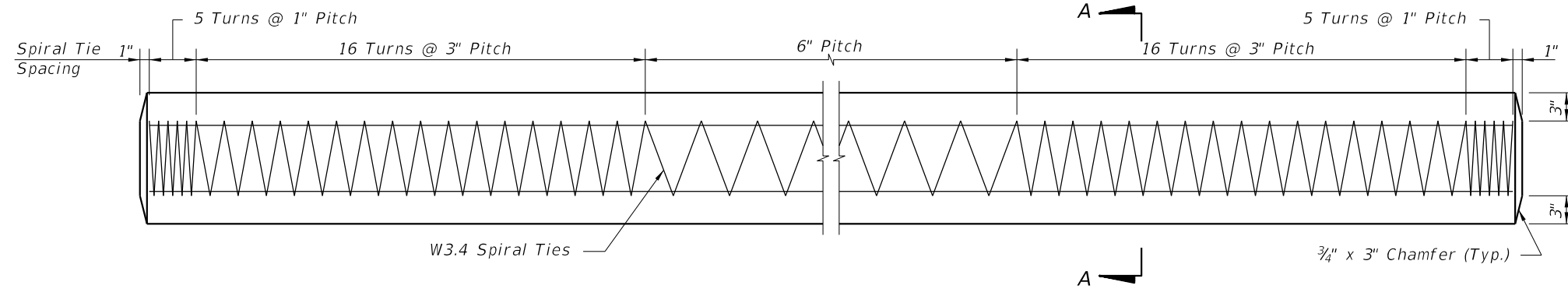
PILE SPLICE REINFORCEMENT DETAILS

NOTES:

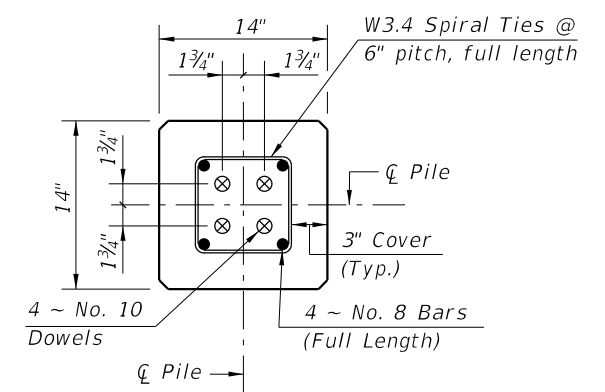
1. Work this Index with Index No. 20600 - Notes and Details for Square Prestressed Concrete Piles and Index No. 20601 - Square Prestressed Concrete Pile Splices.
2. Any of the given Alternate Strand Patterns may be utilized. The strands shall be located as follows:
Place one strand at each corner and place the remaining strands equally spaced between the corner strands.
The total strand pattern shall be concentric with the nominal concrete section of the pile.

LAST REVISION	REVISION	DESCRIPTION:		FDOT DESIGN STANDARDS FY 2012/2013	12" SQUARE PRESTRESSED CONCRETE PILE	INDEX NO. 20612	SHEET NO. 1
01/01/12							

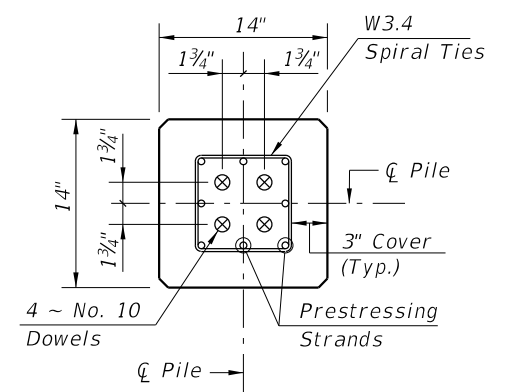
12/30/2011 8:25:02 AM rd960/h C:\projects\standards\structures\current\read\4release\2012book_draft\20614-1of1.dgn



ELEVATION



SECTION D-D
(See Non-drivable Unforescen Reinforced Precast Splice Detail)

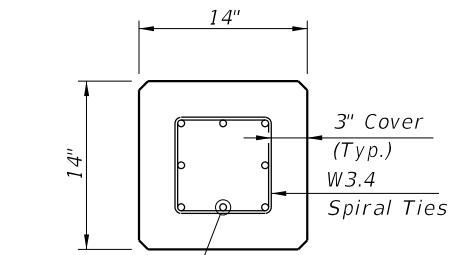


SECTION E-E
(See Drivable Unforescen Prestressed Precast Splice Detail)

PILE SPLICE REINFORCEMENT DETAILS

ALTERNATE STRAND PATTERNS

- 8 ~ 0.6" Ø, Grade 270 LRS, at 33 kips
- 8 ~ 1/2" Ø (Special), Grade 270 LRS, at 31 kips
- 8 ~ 1/2" Ø, Grade 270 LRS, at 31 kips
- 12 ~ 7/16" Ø, Grade 270 LRS, at 21 kips
- 16 ~ 3/8" Ø, Grade 270 LRS, at 16 kips

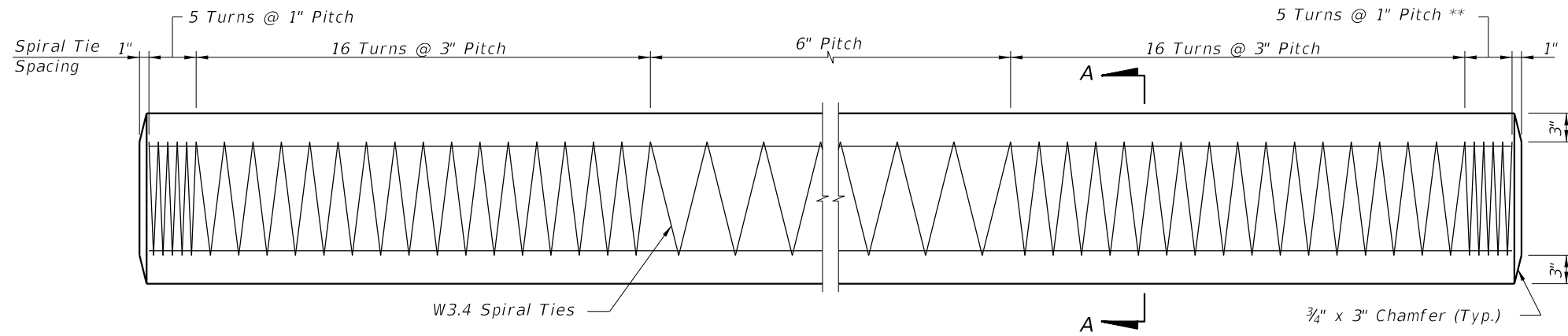


See Alternate Strand Patterns
SECTION A-A

- NOTES:
- Work this Index with Index No. 20600 - Notes and Details for Square Prestressed Concrete Piles and Index No. 20601 - Square Prestressed Concrete Pile Splices.
 - Any of the given Alternate Strand Patterns may be utilized. The strands shall be located as follows:
Place one strand at each corner and place the remaining strands equally spaced between the corner strands. The total strand pattern shall be concentric with the nominal concrete section of the pile.

LAST REVISION	REVISION	DESCRIPTION:		FDOT DESIGN STANDARDS FY 2012/2013	14" SQUARE PRESTRESSED CONCRETE PILE	INDEX NO. 20614	SHEET NO. 1
01/01/12							

C:\projects\standards\structures\current\ready\4release\2012book_draft\20618-1of1.dgn
 8:25:03 AM
 rd960rh
 12/30/2011

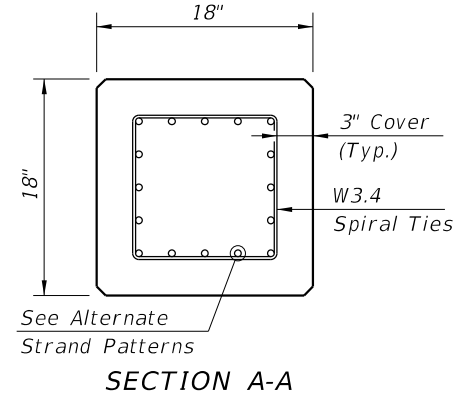


ELEVATION

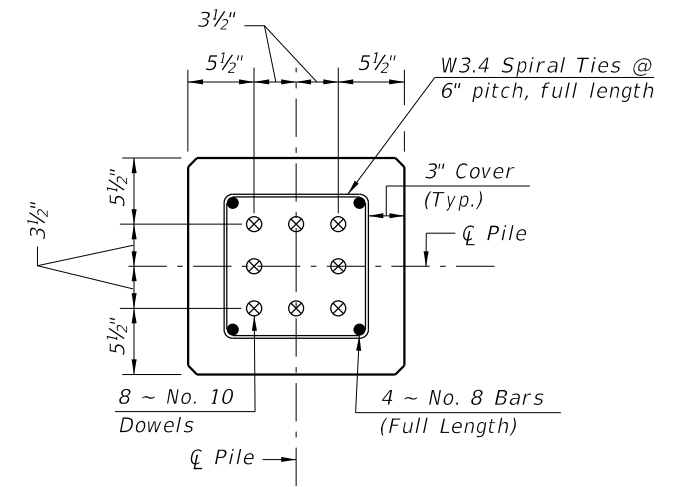
** See Note No. 4 on Index No. 20601

ALTERNATE STRAND PATTERNS

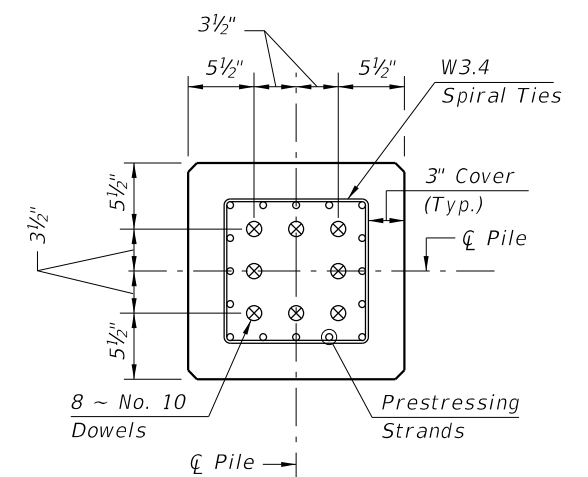
- 12 ~ 0.6" Ø, Grade 270 LRS, at 35 kips
- 12 ~ 1/2" Ø (Special), Grade 270 LRS, at 34 kips
- 16 ~ 1/2" Ø, Grade 270 LRS, at 26 kips
- 20 ~ 7/16" Ø, Grade 270 LRS, at 21 kips
- 24 ~ 3/8" Ø, Grade 270 LRS, at 17 kips



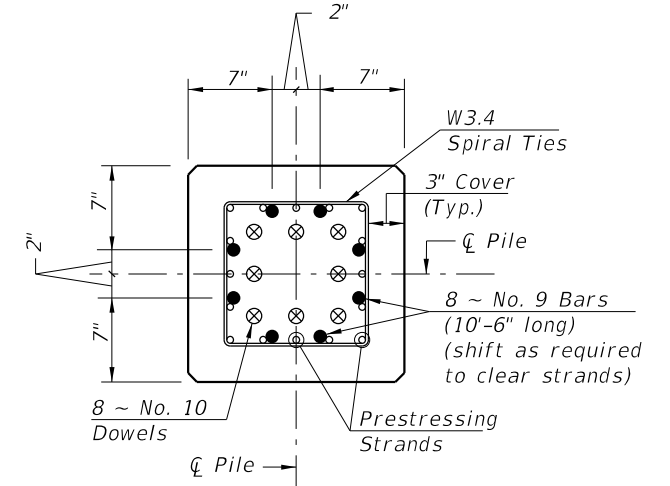
- NOTES:**
1. Work this Index with Index No. 20600 - Notes and Details for Square Prestressed Concrete Piles and Index No. 20601 - Square Prestressed Concrete Pile Splices.
 2. Any of the given Alternate Strand Patterns may be utilized. The strands shall be located as follows:
 Place one strand at each corner and place the remaining strands equally spaced between the corner strands.
 The total strand pattern shall be concentric with the nominal concrete section of the pile.



SECTION D-D
(See Nondrivable Unforeseen Reinforced Precast Splice Detail)



SECTION E-E
(See Drivable Prestressed Precast Splice Detail)



SECTION F-F
(See Drivable Preplanned Splice Detail)

PILE SPLICE REINFORCEMENT DETAILS

LAST REVISION	DESCRIPTION:
01/01/12	

REVISION	DESCRIPTION:

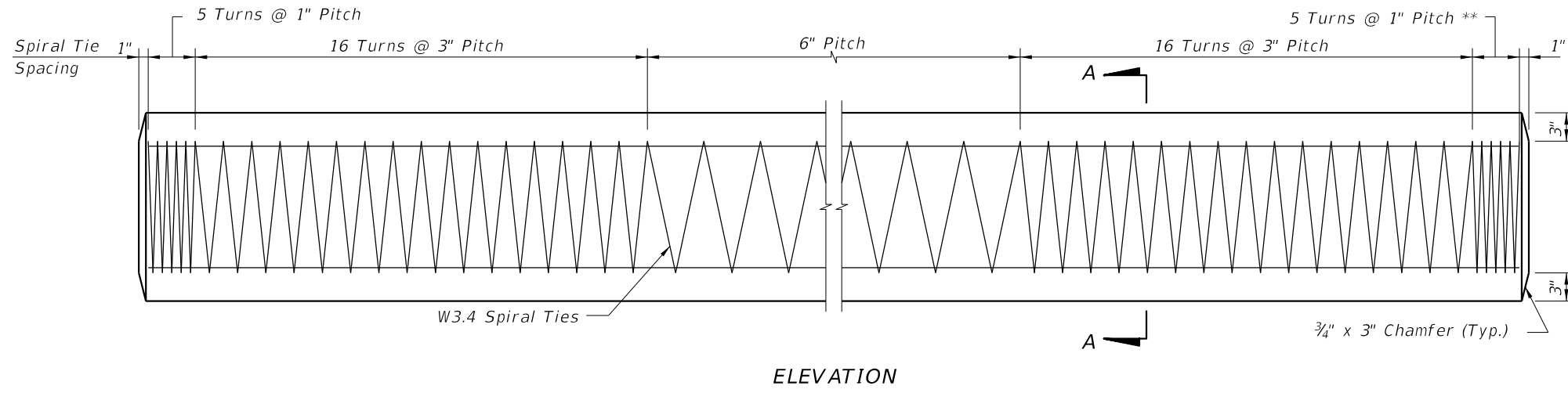


FDOT DESIGN STANDARDS
FY 2012/2013

18" SQUARE PRESTRESSED CONCRETE PILE

INDEX NO.	SHEET NO.
20618	1

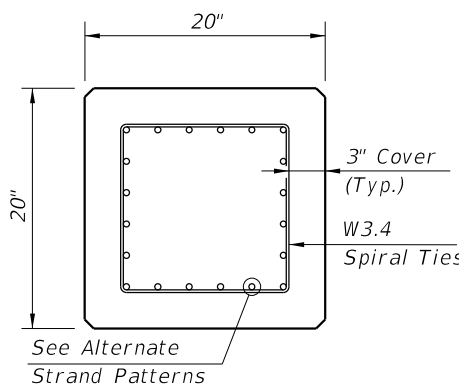
C:\projects\standards\structures\current\ready\4release\2012book_draft\20620-1of1.dgn
8:25:04 AM
12/30/2011



** See Note No. 4 on Index No. 20601

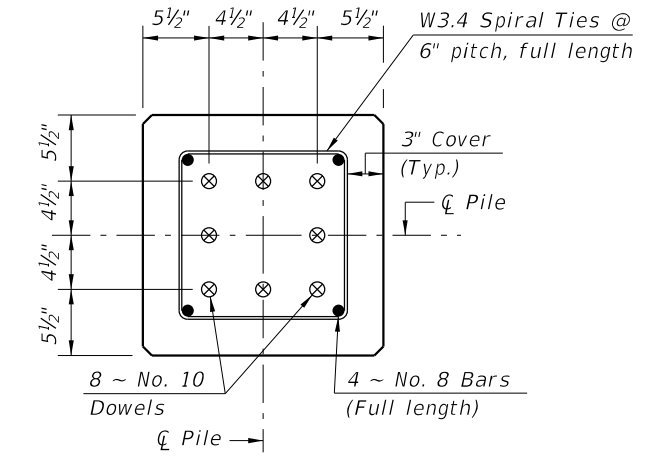
ALTERNATE STRAND PATTERNS

- 12 ~ 0.6" Ø, Grade 270 LRS, at 42 kips
- 16 ~ 1/2" Ø (Special), Grade 270 LRS, at 31 kips
- 16 ~ 1/2" Ø, Grade 270 LRS, at 31 kips
- 24 ~ 7/16" Ø, Grade 270 LRS, at 21 kips



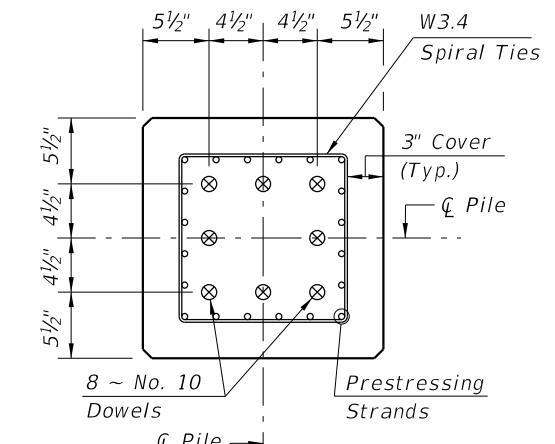
SECTION A-A

- NOTES:**
1. Work this Index with Index No. 20600 - Notes and Details for Square Prestressed Concrete Piles and Index No. 20601 - Square Prestressed Concrete Pile Splices.
 2. Any of the given Alternate Strand Patterns may be utilized. The strands shall be located as follows:
Place one strand at each corner and place the remaining strands equally spaced between the corner strands.
The total strand pattern shall be concentric with the nominal concrete section of the pile.



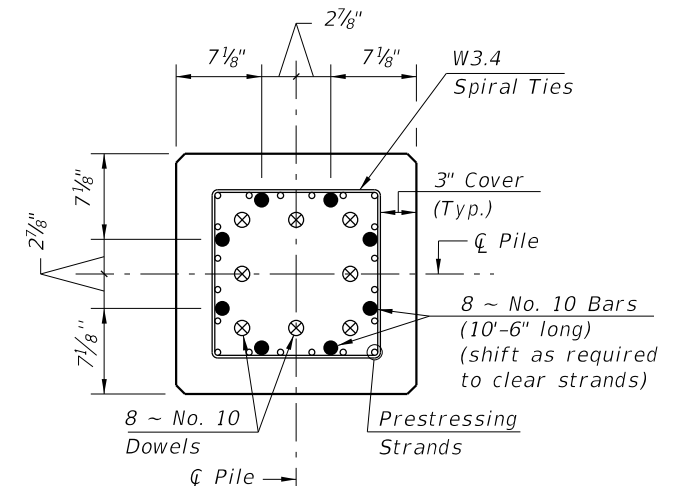
SECTION D-D

(See Nondrivable Unforescen Reinforced Precast Pile Splice Detail)



SECTION E-E

(See Drivable Prestressed Precast Pile Splice Detail)



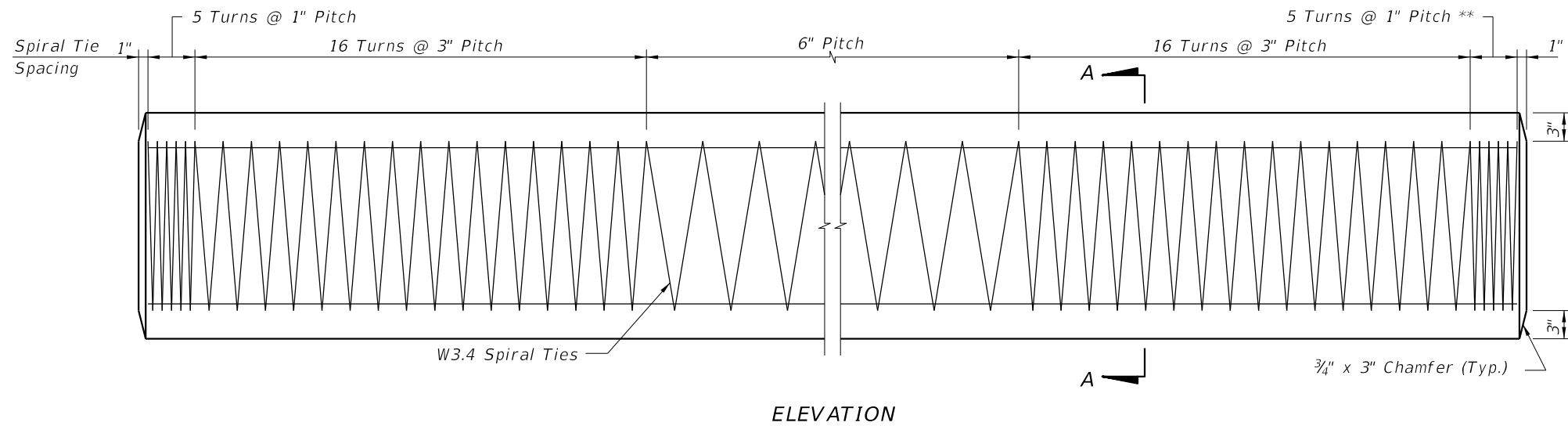
SECTION F-F

(See Drivable Preplanned Pile Splice Detail)

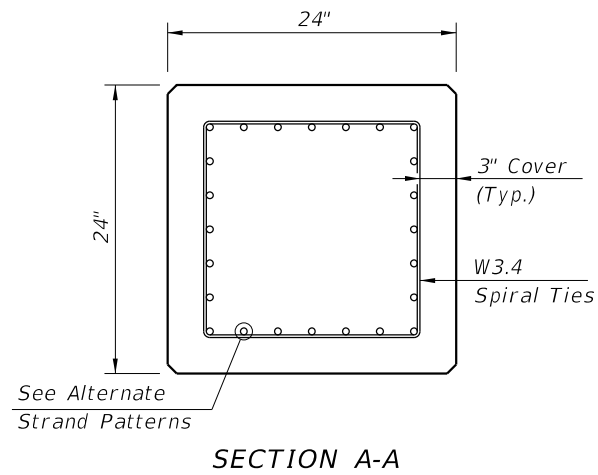
PILE SPLICE REINFORCEMENT DETAILS

LAST REVISION	REVISION	DESCRIPTION:		FDOT DESIGN STANDARDS FY 2012/2013	20" SQUARE PRESTRESSED CONCRETE PILE	INDEX NO.	SHEET NO.
01/01/12						20620	1

C:\projects\standards\structures\current\ready\4release\2012book_draft\20624-1of1.dgn
 rd960rh
 8:25:04 AM
 12/30/2011



** See Note No. 4 on Index No. 20601

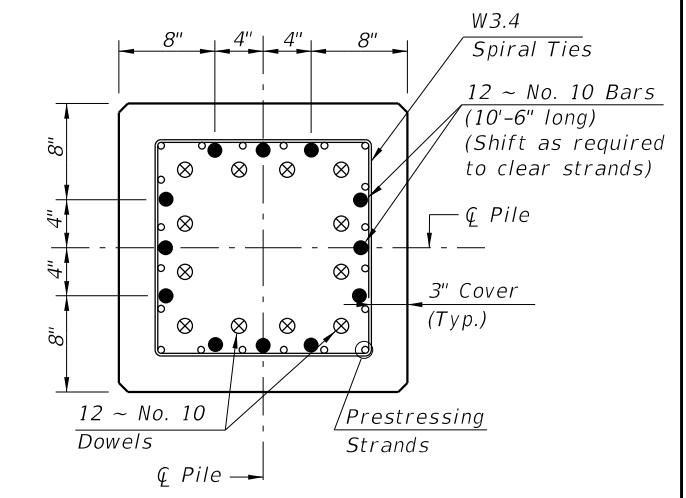
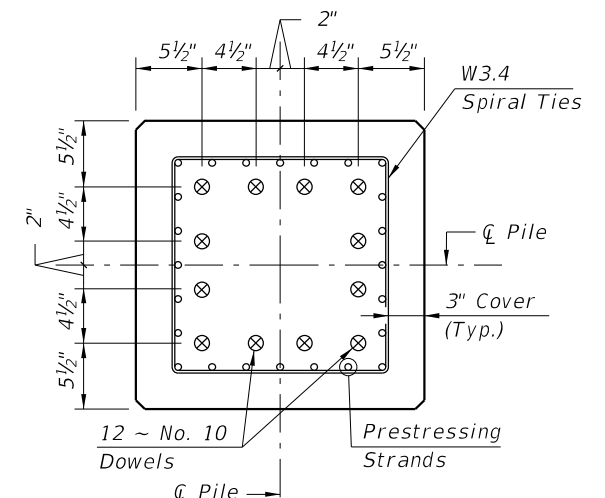
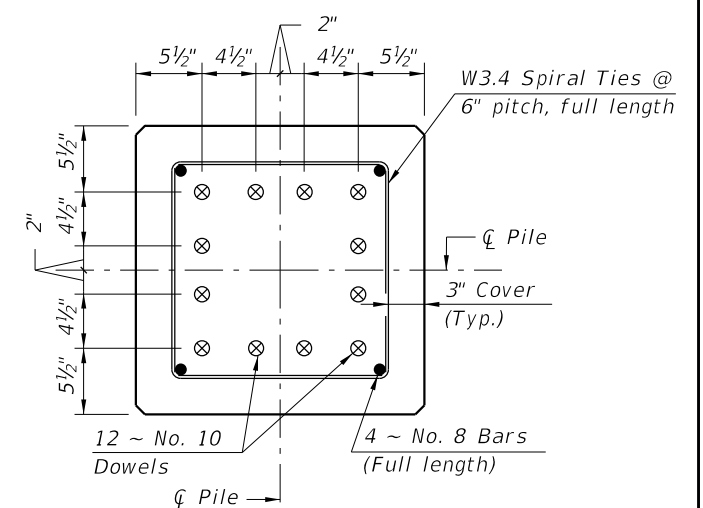


ALTERNATE STRAND PATTERNS

- 16 ~ 0.6" Ø, Grade 270 LRS, at 44 kips
- 20 ~ 1/2" Ø (Special), Grade 270 LRS, at 34 kips
- 24 ~ 1/2" Ø, Grade 270 LRS, at 31 kips

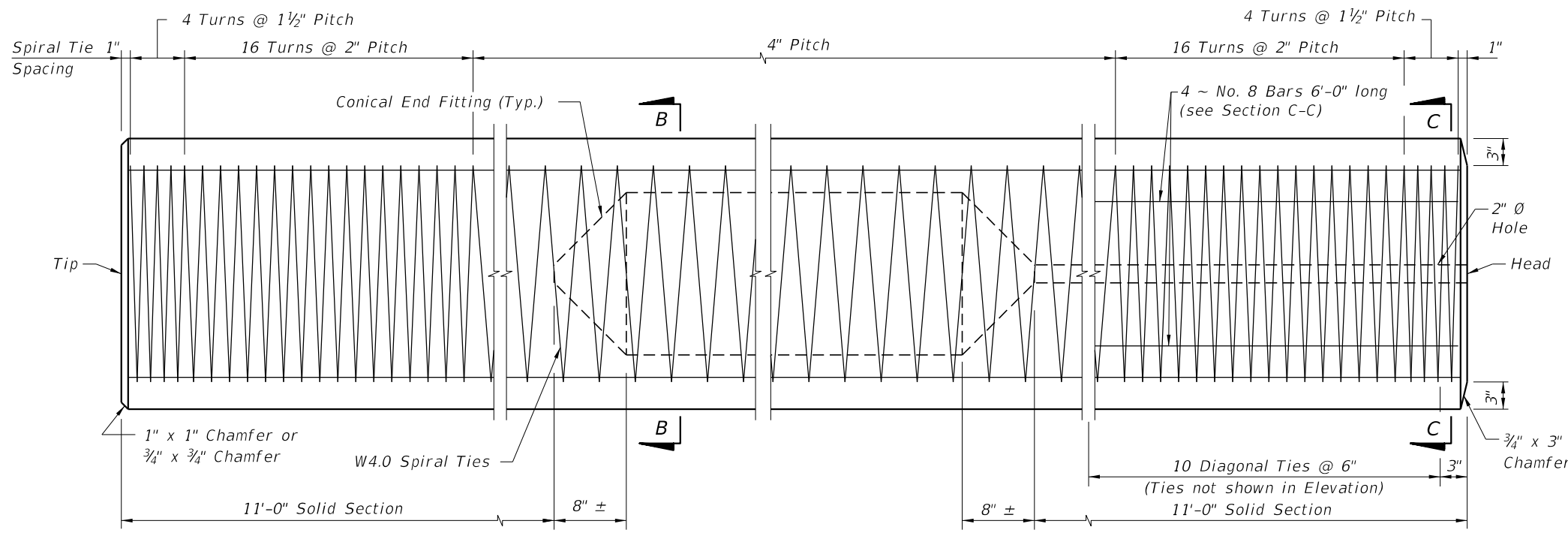
NOTES:

1. Work this Index with Index No. 20600 - Notes and Details for Square Prestressed Concrete Piles and Index No. 20601 - Square Prestressed Concrete Pile Splices.
2. Any of the given Alternate Strand Patterns may be utilized. The strands shall be located as follows:
 Place one strand at each corner and place the remaining strands equally spaced between the corner strands.
 The total strand pattern shall be concentric with the nominal concrete section of the pile.

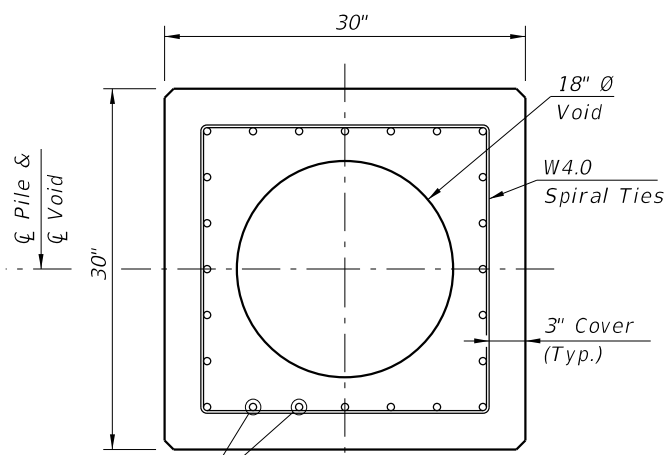


LAST REVISION	01/01/12	DESCRIPTION:		FDOT DESIGN STANDARDS FY 2012/2013	24" SQUARE PRESTRESSED CONCRETE PILE	INDEX NO. 20624	SHEET NO. 1
---------------	----------	--------------	--	----------------------------------------------	---------------------------------------------	---------------------------	-----------------------

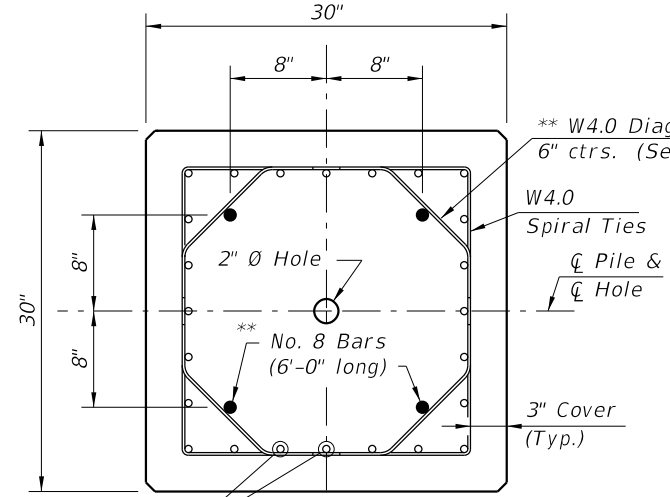
12/30/2011 8:25:05 AM r0960rh C:\projects\standards\structures\current\ready\4release\2012book_draft\20630-1of1.dgn



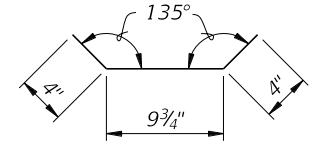
ELEVATION



SECTION B-B
(See Pile Splice Reinforcement Details)



SECTION C-C
(See Pile Splice Reinforcement Details)



W4.0 DIAGONAL TIE DETAIL

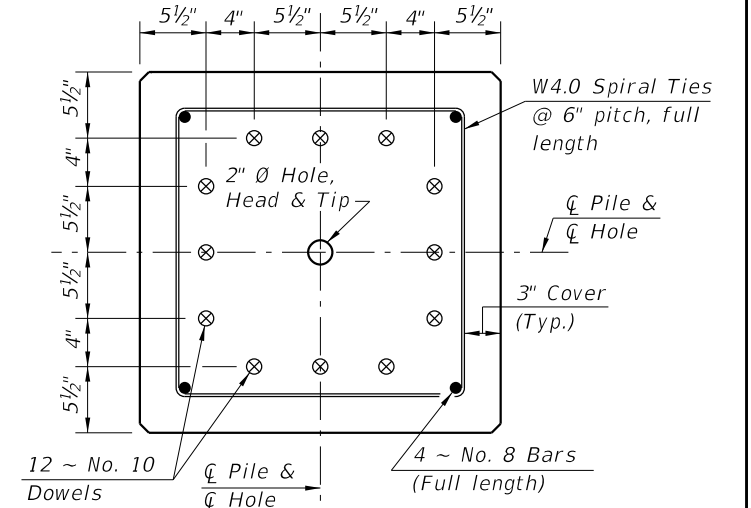
** Omit 4 ~ No. 8 Bars and Diagonal Ties in pre-planned mechanical splice.

ALTERNATE STRAND PATTERNS

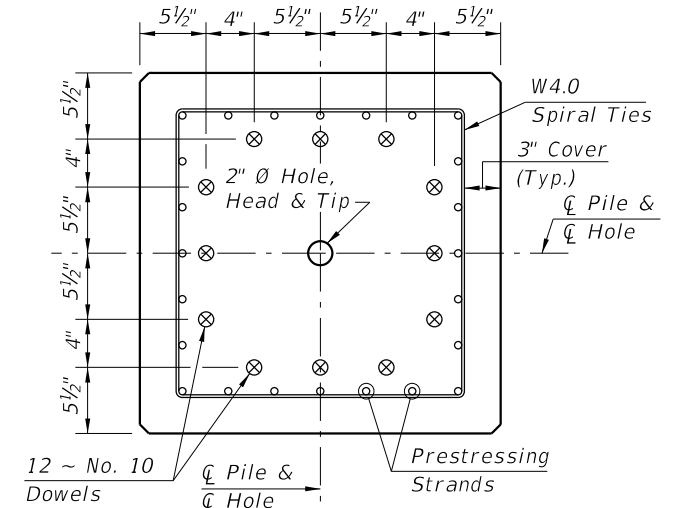
- 20 ~ 0.6" Ø, Grade 270 LRS, at 41 kips
- 24 ~ 1/2" Ø (Special), Grade 270 LRS, at 34 kips
- 28 ~ 1/2" Ø, Grade 270 LRS, at 29 kips

NOTES:

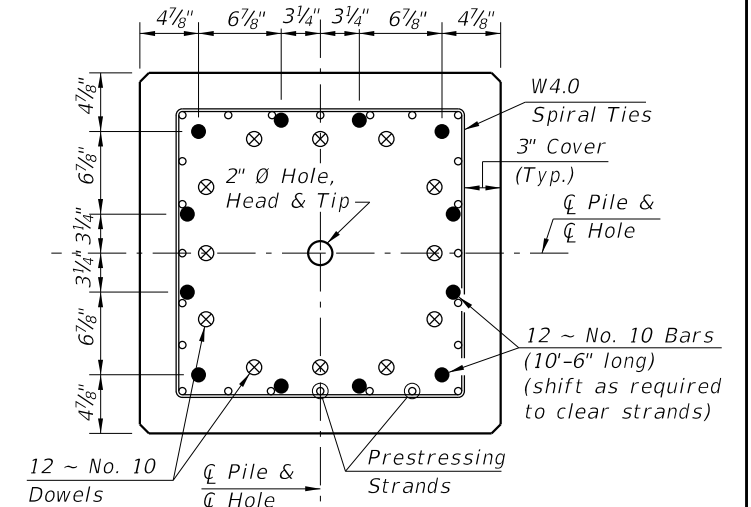
1. Venting shall be provided by the use of a 1" Ø PVC conduit through a substructure cap or column. Voids between segments of spliced piles shall be connected by 2" Ø hole(s).
2. Any of the given Alternate Strand Patterns may be utilized. The strands shall be located as follows: Place one strand at each corner and place the remaining strands equally spaced between the corner strands. The total strand pattern shall be concentric with the nominal concrete section of the pile.
3. CONTRACTOR OPTION: The 30" pile may be cast SOLID by omitting the 18" Ø void and the 2" Ø vent hole. In this event, the Contractor shall submit calculations for approval and a proposed strand configuration that provide net prestressing after losses equal to 1000 psi. Alternate configurations for the Diagonal Ties, to maintain the position of the 4 ~ No. 8 Bars, may be approved by the Engineer.
4. Work this Index with Index No. 20600 - Notes and Details for Square Prestressed Concrete Piles and Index No. 20601 - Square Prestressed Concrete Pile Splices.



SECTION D-D
(See Non-drivable Unforced Reinforced Precast Pile Splice Detail)



SECTION E-E
(See Drivable Prestressed Precast Pile Splice Detail)

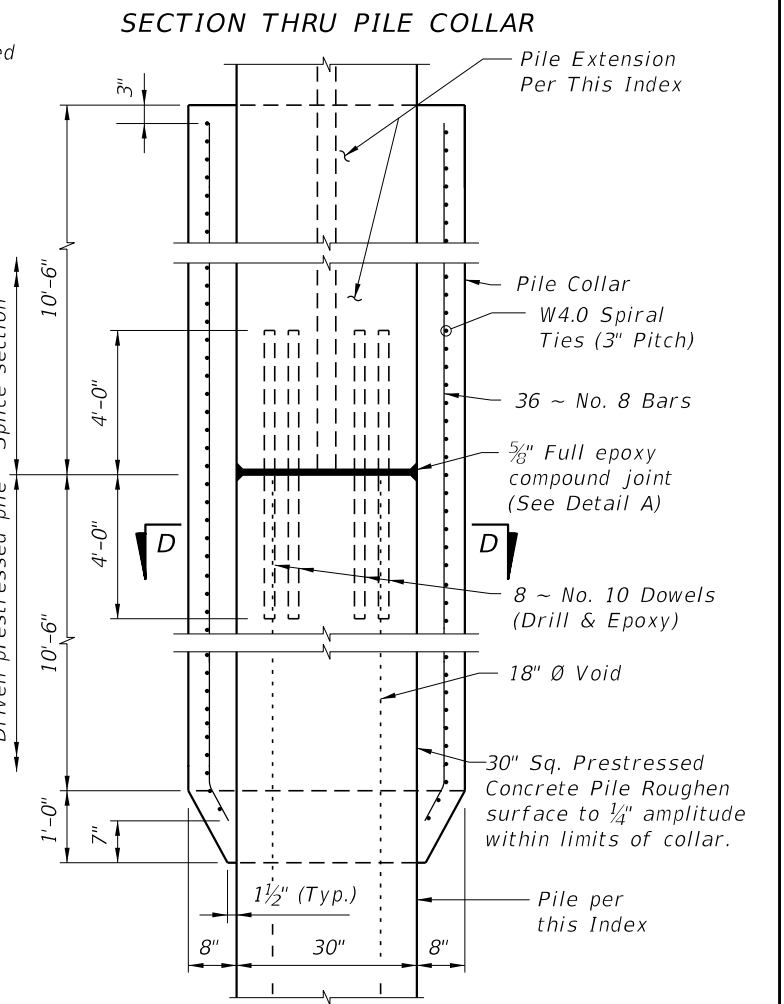
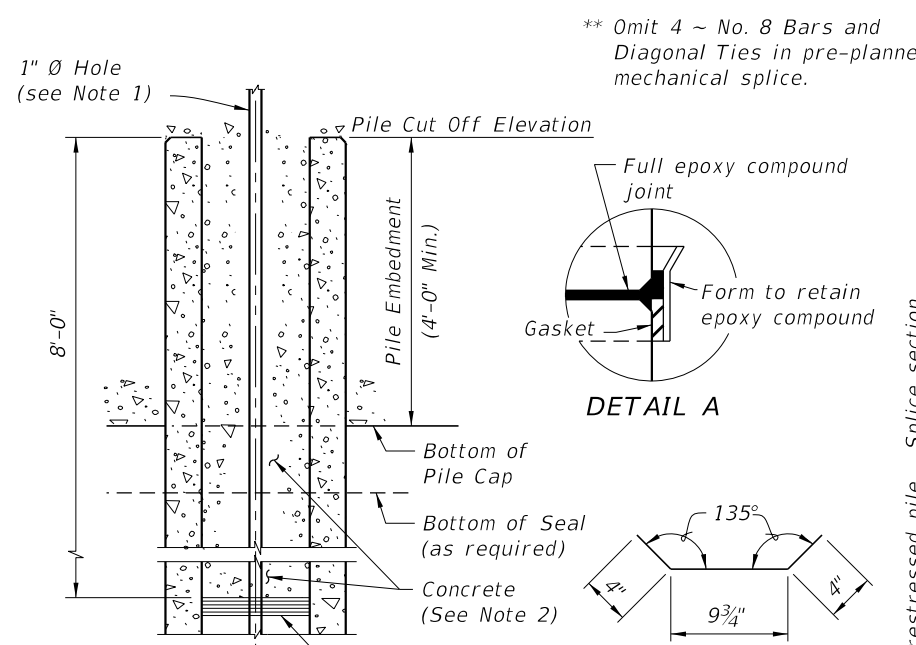
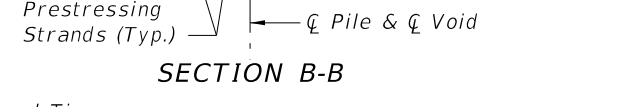
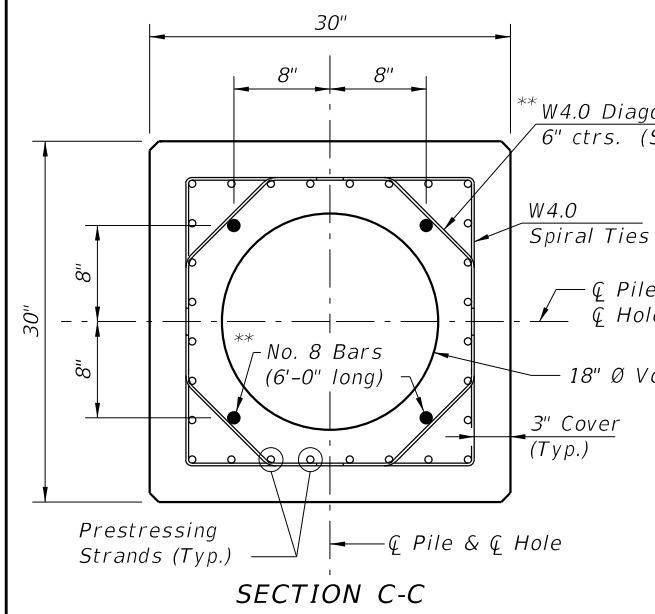
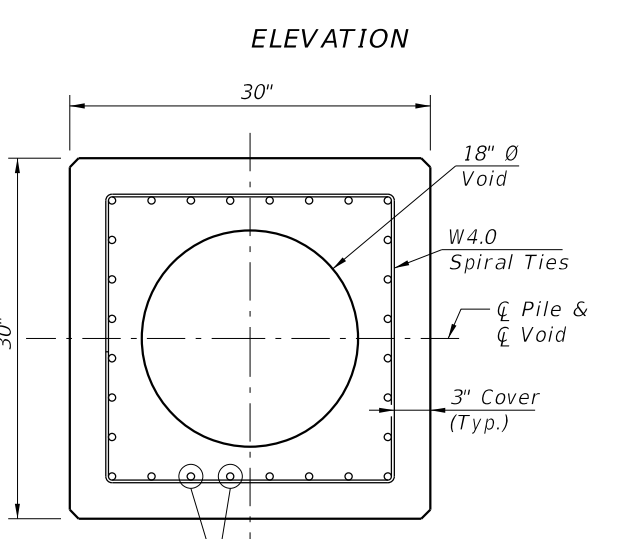
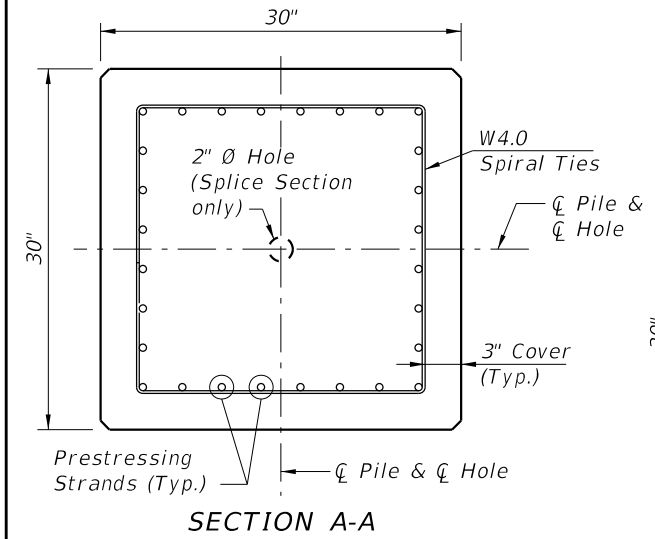
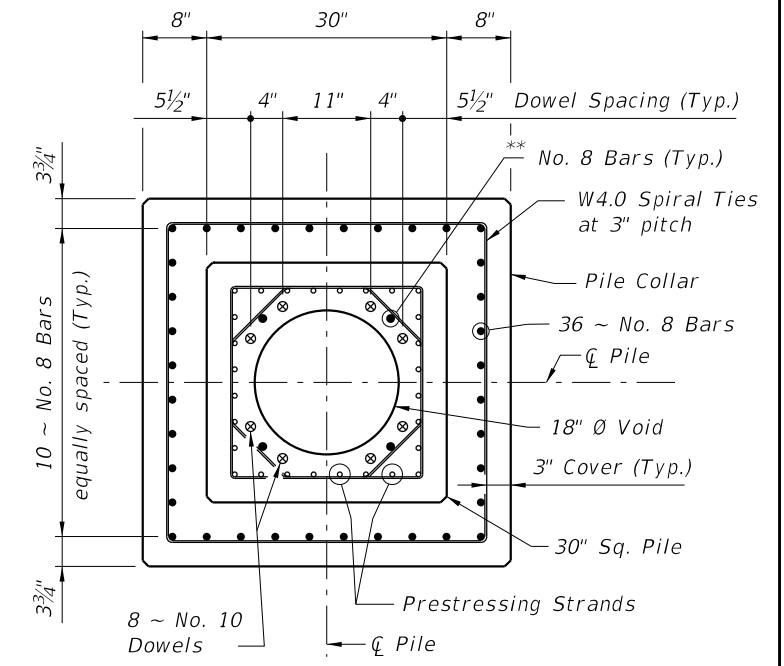
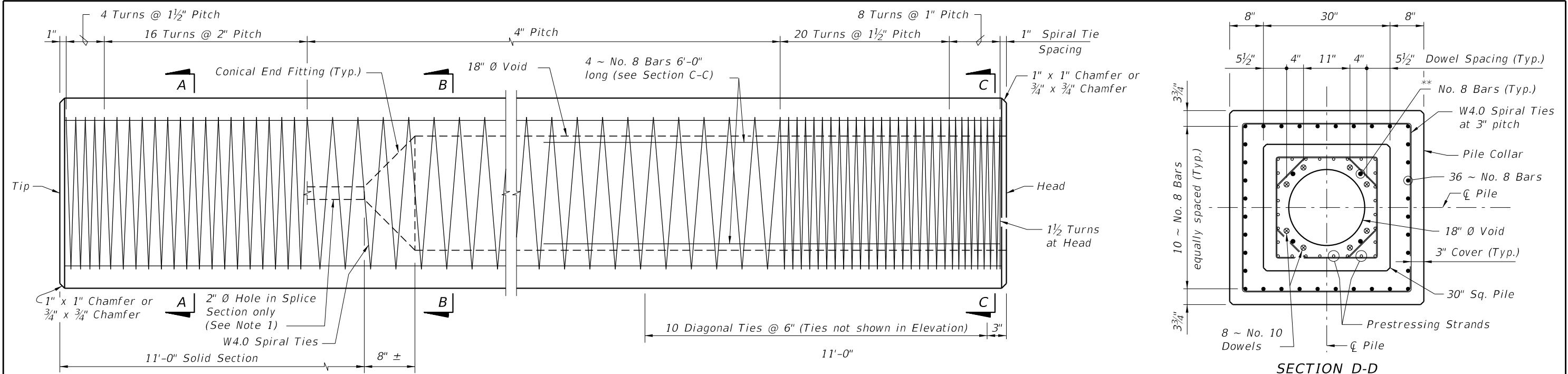


SECTION F-F
(See Drivable Preplanned Pile Splice Detail)

PILE SPLICE DETAILS

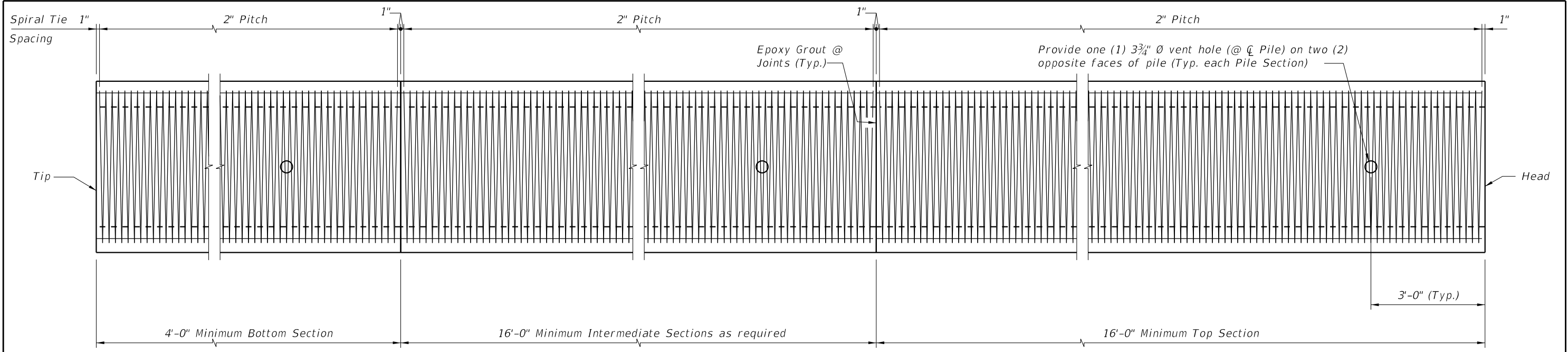
LAST REVISION	DESCRIPTION:	FDOT DESIGN STANDARDS FY 2012/2013	30" SQUARE PRESTRESSED CONCRETE PILE	INDEX NO. 20630	SHEET NO. 1
01/01/12					

12/30/2011 8:25:06 AM rd960rh C:\projects\standards\structures\current\ready\4release\2012book_draft\20631-1of1.dgn

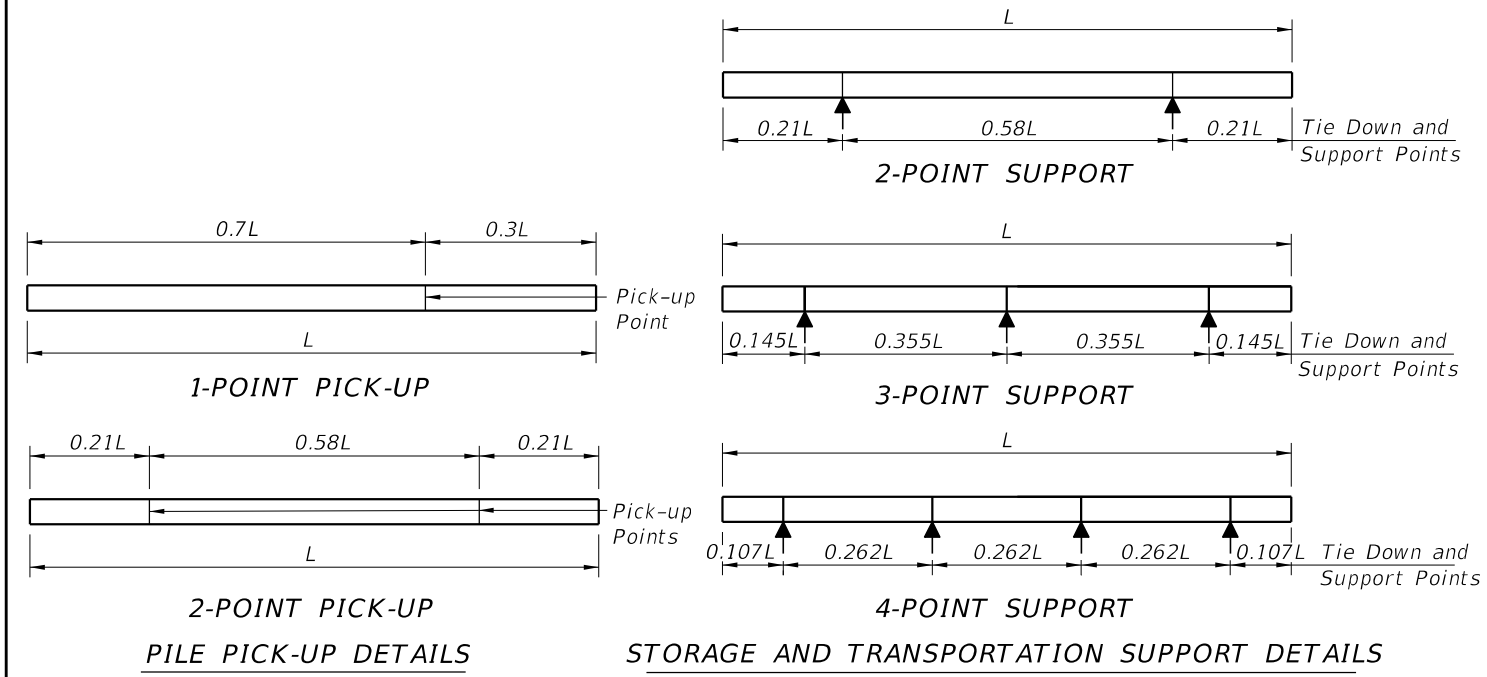


NOTES:
 1. Venting shall be provided by the use of a 1" Ø PVC conduit through a substructure cap or column. Voids between segments of spliced piles shall be connected by 2" Ø hole(s).
 2. After the pile is driven and cut to grade, the top 8'-0" of the 18" Ø Void shall be filled with concrete. Prior to filling the top 8'-0" of the 18" Ø Void with concrete, strip the cardboard form material from the void. A stay-in-place corrugated thin wall galvanized pipe may be used to form the void in lieu of the cardboard form material. The concrete fill material shall be of the same type and strength as called for in the pile cap and paid for as substructure concrete.
 3. Collar concrete shall reach a strength of 6,000 psi before pile driving is resumed.
 4. Work this Index with Index No. 20600 - Notes and Details for Square Prestressed Concrete Piles.

LAST REVISION	REVISION	DESCRIPTION:	 FDOT DESIGN STANDARDS FY 2012/2013	HIGH MOMENT CAPACITY 30" SQUARE PRESTRESSED CONCRETE PILE	INDEX NO.	SHEET NO.
01/01/12					20631	1



ELEVATION



NOTES

DESIGN SPECIFICATIONS:
 Florida Department of Transportation (FDOT) "Structures Design Guidelines", Current Edition.
 American Association of State Highway and Transportation Officials (AASHTO) "LRFD Bridge Design Specifications", Current Edition.

SPIRAL TIES:
 One full wrap of spirals is required at both the head and tip of pile. One half turn required for spiral splices.

CONCRETE CLASS:
 Concrete for all piles shall be Class V (Special). Concrete for pile splices shall be Class IV. See "GENERAL NOTES" in Structures Plans for any specific locations where the use of Silica Fume is required.

CONCRETE STRENGTH:
 The cylinder strength shall be 6,000 psi minimum at time of transfer of the Prestressing Force.

SPLICE BONDING MATERIAL:
 The material to form the joint between pile sections shall be a Type B Epoxy Compound in accordance with Section 926 of the Specifications. The bonding agent used on internal pile surfaces shall be a Type A Epoxy Compound in accordance with Section 926 of the Specifications. Epoxy Compounds used shall be contained on the Qualified Products List (QPL). Use Epoxy Bonding Compound or Epoxy Mortar as recommended by the Manufacturer. For Epoxy Mortar only use sand or other filler material supplied by the manufacturer and in the proportions recommended.

PICK-UP POINTS:
 Piles shall be marked at the pick-up points to indicate proper points for attaching handling lines.

REINFORCING STEEL:
 All reinforcing steel shall be Grade 60, except that smooth steel wire (W11 spiral ties and longitudinal spacers and W20 ties) shall be manufactured from cold drawn steel wire meeting the requirements of ASTM A82.

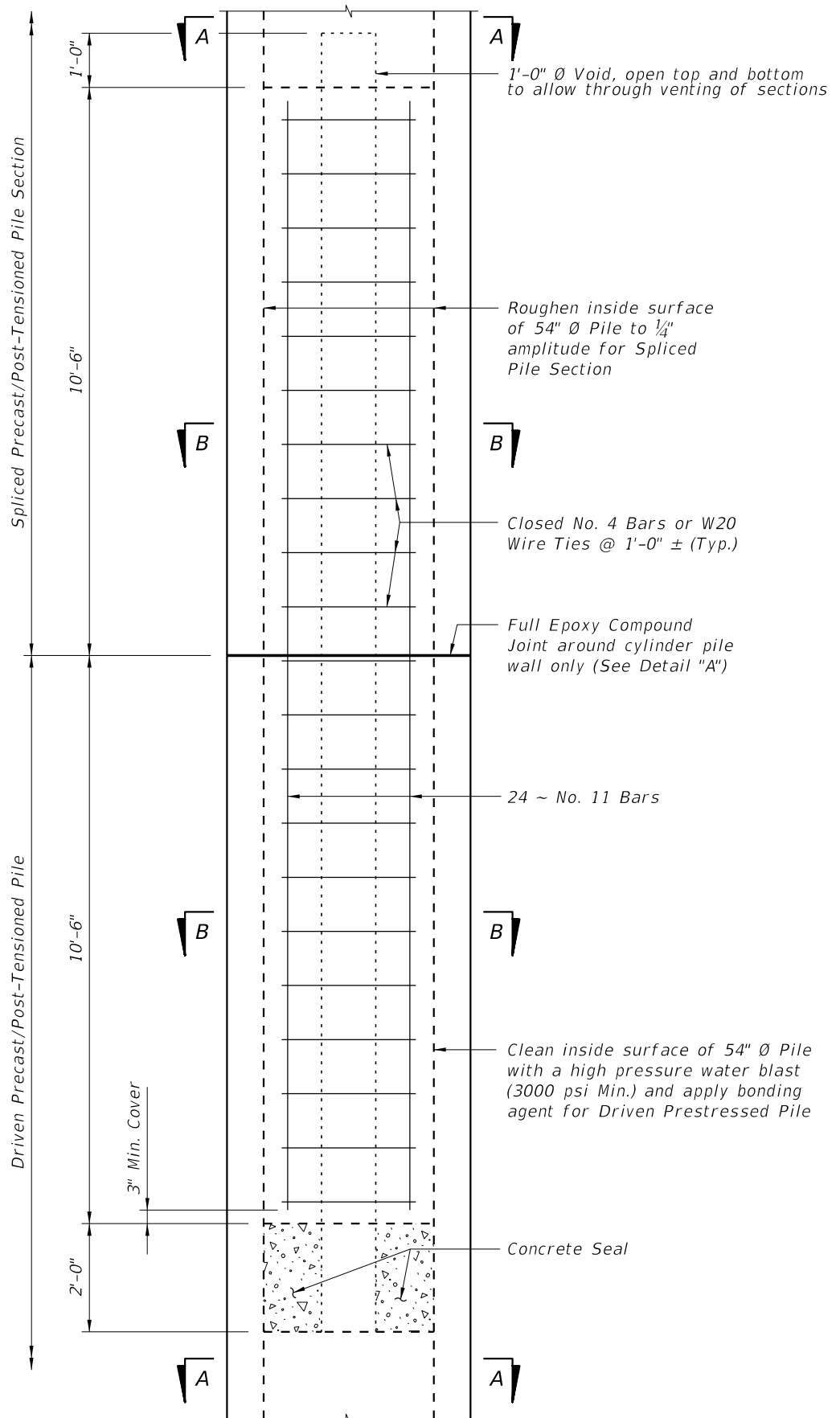
PRESTRESSING STEEL:
 Prestressing tendons shall be made up of two seven-wire strands. Prestressing strands shall be 1/2" Ø (Special), Grade 270 low relaxation, at 33.8 kips.

PILE DRIVING AFTER SPLICING:
 Pile splices shall reach a minimum strength of 5500 psi before driving is resumed.

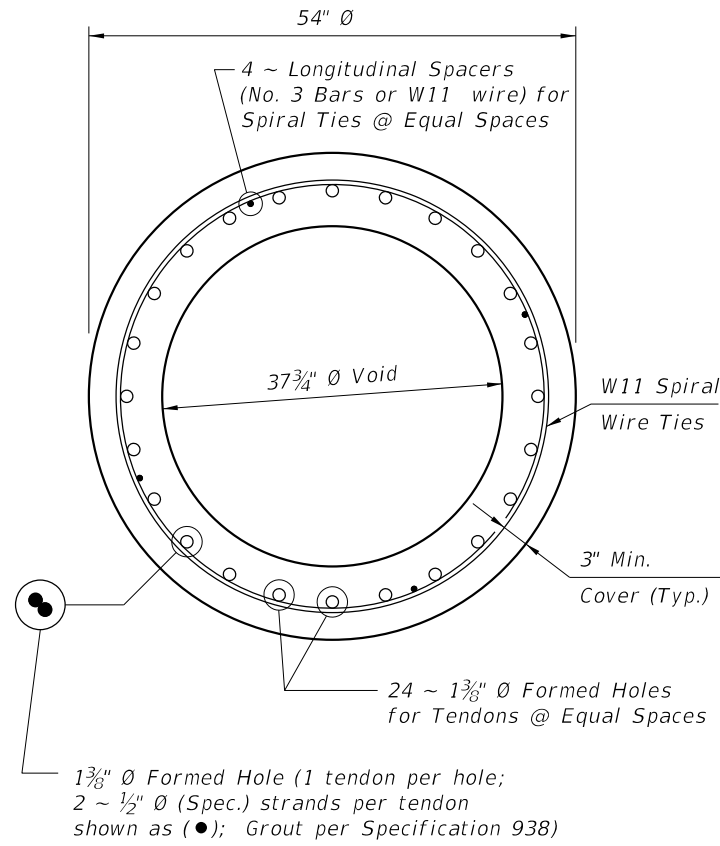
TABLE OF MAXIMUM PILE PICK-UP AND SUPPORT LENGTHS		
Maximum Pile Length (Feet)	Required Storage and Transportation Detail	Pick-Up Detail
119	2, 3, or 4 point	1 Point
170	2, 3, or 4 point	2 Point

C:\projects\standards\structures\current\ready\4release\2012book_draft\20654-1of2.dgn
 rd960rh
 8:25:07 AM
 12/30/2011

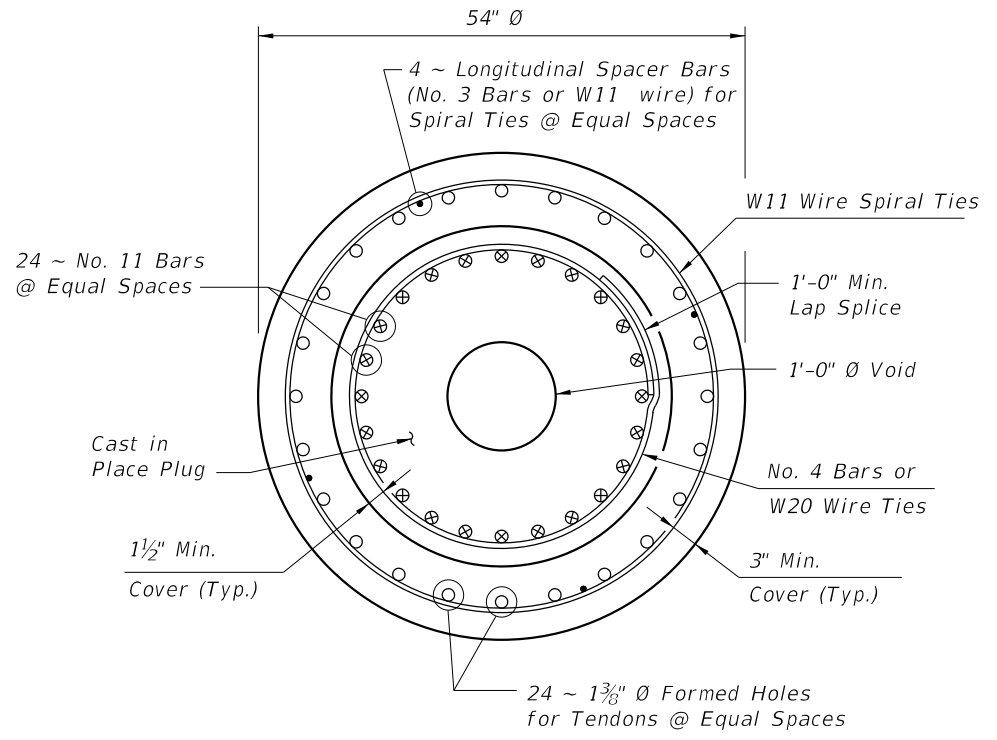
12/30/2011 8:25:08 AM rd9607h C:\projects\standards\structures\current\ready\4release\2012book_draft\20654-2of2.dgn



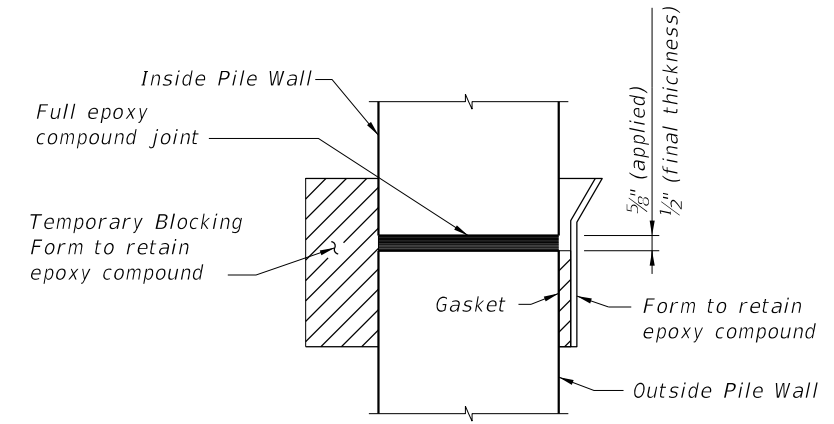
DRIVABLE UNFORESEEN FIELD SPLICE DETAIL
(Cast-In-Place Plug)



SECTION A-A

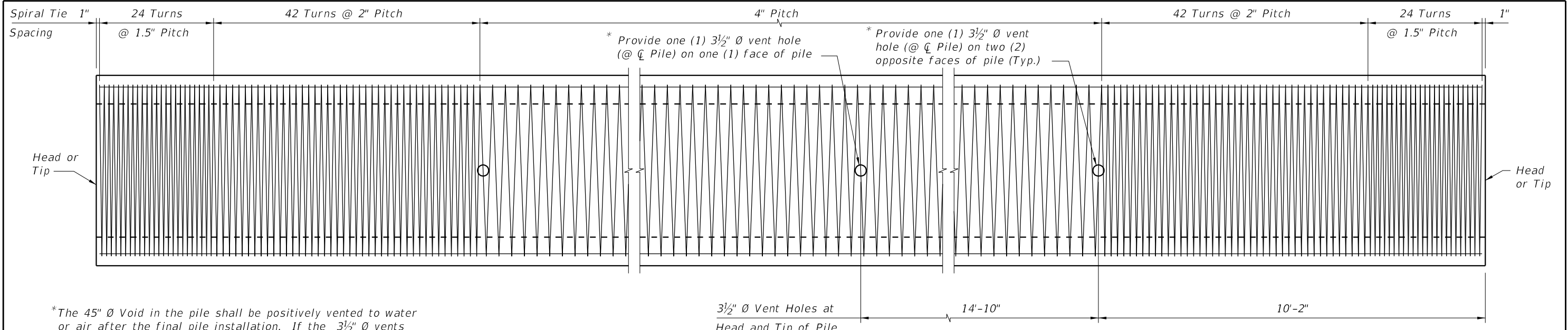


SECTION B-B



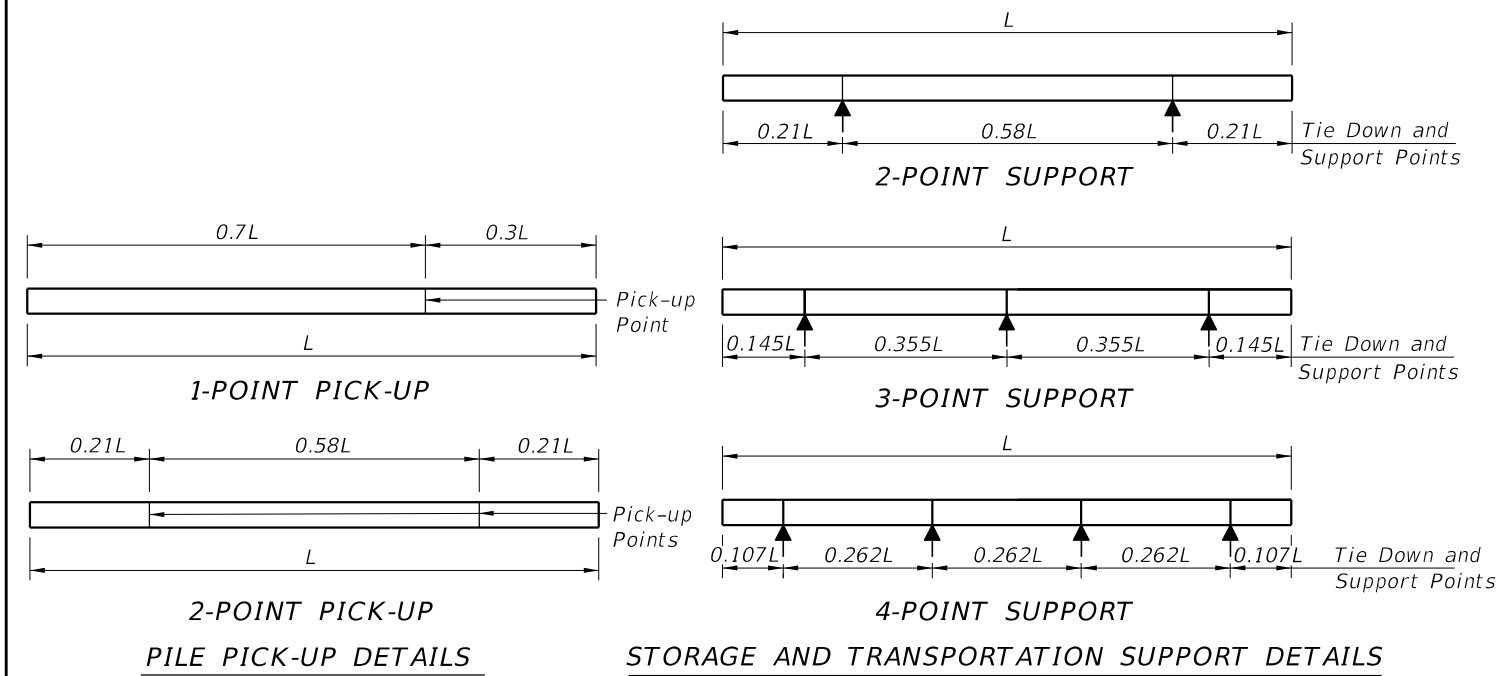
DETAIL "A"

LAST REVISION	DESCRIPTION:		FDOT DESIGN STANDARDS FY 2012/2013	54" PRECAST/POST-TENSIONED CONCRETE CYLINDER PILE	INDEX NO. 20654	SHEET NO. 2
01/01/12	REVISION					



*The 45° Void in the pile shall be positively vented to water or air after the final pile installation. If the 3 1/2" Ø vents are included in the pile cut-off section, then venting shall be provided by the use of a 1" Ø PVC conduit through the substructure cap or column.

ELEVATION



NOTES

DESIGN SPECIFICATIONS:
 Florida Department of Transportation (FDOT) "Structures Design Guidelines", Current Edition.
 American Association of State Highway and Transportation Officials (AASHTO) "LRFD Bridge Design Specifications", Current Edition.

SPIRAL TIES:
 One full wrap of spirals is required at both the head and tip of pile. One half turn required for spiral splices.

CONCRETE CLASS:
 Concrete for all piles shall be Class V (Special). Concrete for pile splices shall be Class IV. See "GENERAL NOTES" in Structures Plans for any specific locations where the use of Silica Fume is required.

CONCRETE STRENGTH:
 The cylinder strength shall be 4,000 psi minimum at time of transfer of the Prestressing Force.

SPLICE BONDING MATERIAL:
 The material to form the joint between pile sections shall be a Type B Epoxy Compound in accordance with Specification Section 926. The bonding agent used on internal pile surfaces shall be a Type A Epoxy Compound in accordance with Specification Section 926. Epoxy Compounds used shall be contained on the Qualified Products List (QPL). Use Epoxy Bonding Compound or Epoxy Mortar as recommended by the Manufacturer. For Epoxy Mortar only use sand or other filler material supplied by the manufacturer and in the proportions recommended.

PICK-UP POINTS:
 Piles shall be marked at the pick-up points to indicate proper points for attaching handling lines.

REINFORCING STEEL:
 All reinforcing steel shall be Grade 60, except that smooth steel wire (W11 spiral ties and W20 ties) shall be manufactured from cold drawn steel wire meeting the requirements of ASTM A82.

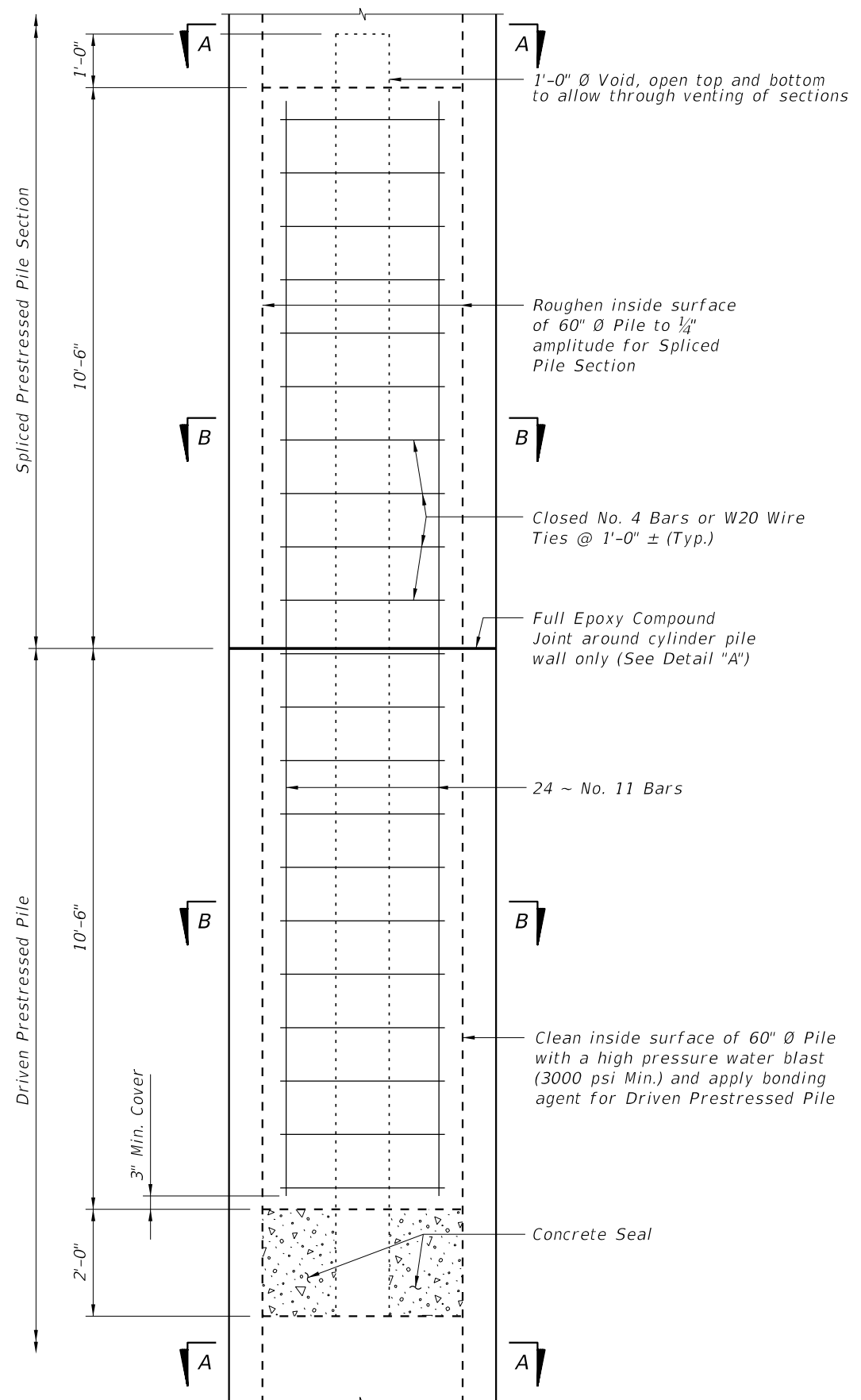
PRESTRESSING STEEL:
 Prestressing steel shall be 0.6" Ø seven-wire strand, Grade 270 low relaxation, at 44.0 kips.

PILE DRIVING AFTER SPLICING:
 Pile splices shall reach a minimum strength of 5500 psi before driving is resumed.

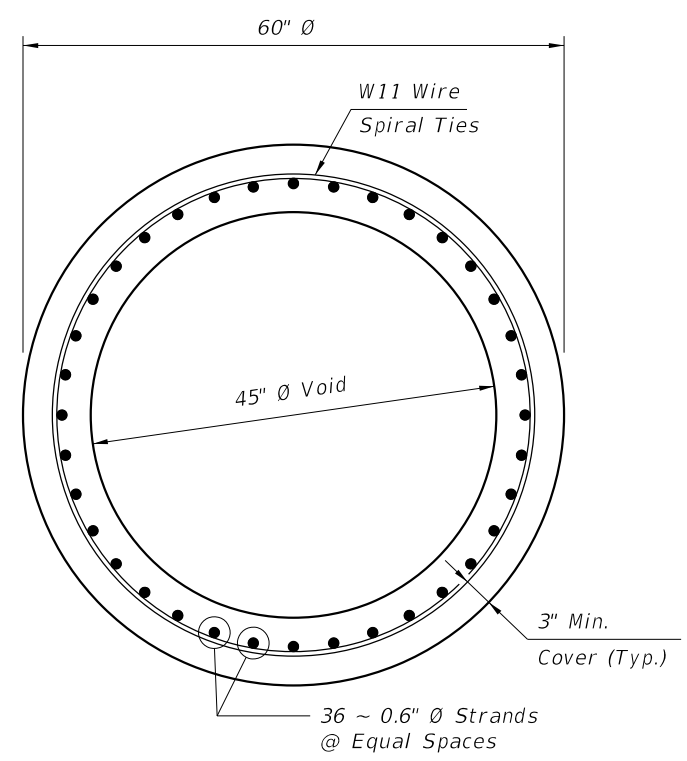
TABLE OF MAXIMUM PILE PICK-UP AND SUPPORT LENGTHS		
Maximum Pile Length (Feet)	Required Storage and Transportation Detail	Pick-Up Detail
122	2, 3, or 4 point	1 Point
174	2, 3, or 4 point	2 Point

C:\projects\standards\structures\current\ready\release\2012\book_draft\20660-1of2.dgn 8:25:09 AM 12/30/2011

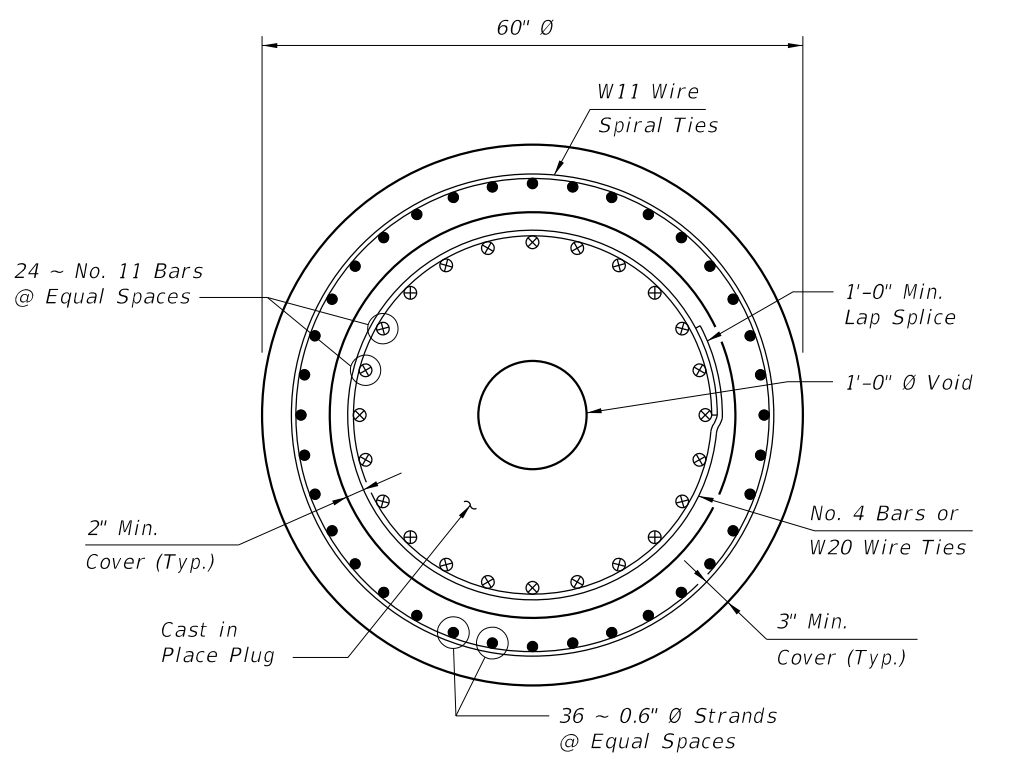
12/30/2011 8:25:10 AM r0960rh C:\projects\standards\structures\current\ready\4release\2012book_draft\20660-2of2.dgn



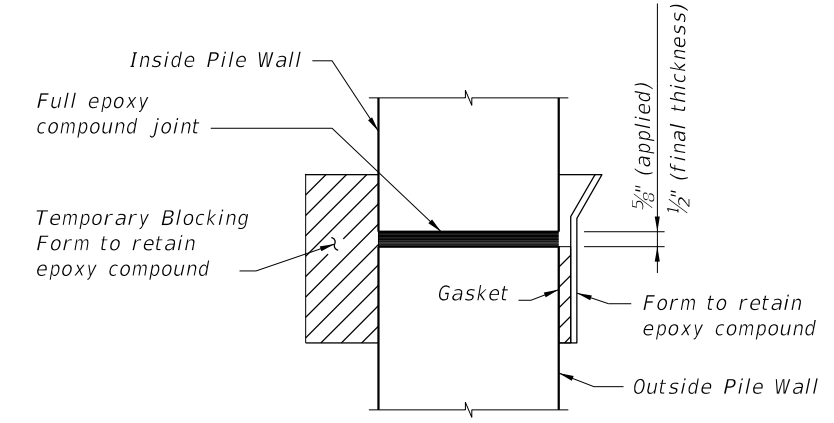
DRIVABLE UNFORESEEN FIELD SPLICE DETAIL
(Cast in Place Plug)



SECTION A-A



SECTION B-B



DETAIL "A"

LAST REVISION	REVISION	DESCRIPTION:	 FDOT DESIGN STANDARDS FY 2012/2013	60" PRESTRESSED CONCRETE CYLINDER PILE	INDEX NO. 20660	SHEET NO. 2
01/01/12						